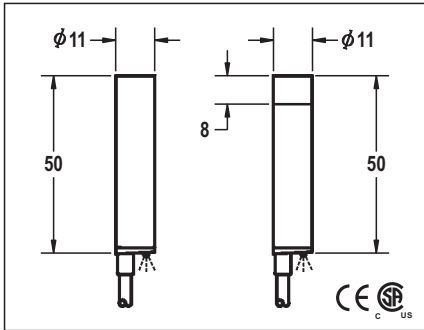


DC INDUCTIVE PROXIMITY SWITCH

φ 11	
●	○
2 mm	4 mm
stainless steel or nickel plated brass	
●	



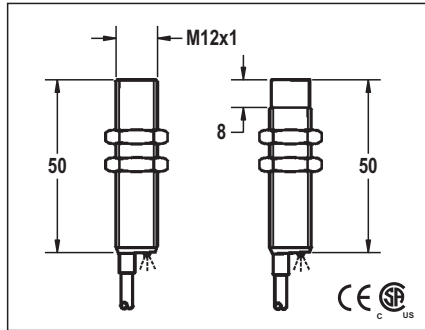
10-30VDC or 5-36VDC or 10-55VDC	
<10%	
<10mA	<20mA
200mA	
<0.01mA	
-	
<1.5V or <1.0V or <2.0V	
2KHZ	1KHZ
0.1ms/0.1ms	0.2ms/0.2ms
<15%(Sr)	
<1.0%(Sr)	
IP67	
-25°C - +70°C	
<10%(Sr)	
YES	
220mA	
<10ms	
RFI>3V/m / EFT>1KV / ESD>4KV (contact)	
IEC 60947-5-2,Part 7.4.1 / IEC 60947-5-2,Part 7.4.2	
POM	

FCM1-D1102N-A3U2	1	FCM2-D1104N-A3U2
FCM1-D1102N-B3U2	2	FCM2-D1104N-B3U2
FCM1-D1102P-A3U2	3	FCM2-D1104P-A3U2
FCM1-D1102P-B3U2	4	FCM2-D1104P-B3U2
FCM1-D1102P-S4U2	6	FCM2-D1104P-S4U2
FCM1-D1102N-S4U2	2	FCM2-D1104N-S4U2
FCM1-D1102C-A2U2	7	FCM2-D1104C-A2U2
FCM1-D1102C-B2U2	8	FCM2-D1104C-B2U2
HCM1-D1102N-A3U2	1	HCM2-D1104N-A3U2
HCM1-D1102N-B3U2	2	HCM2-D1104N-B3U2
HCM1-D1102P-A3U2	3	HCM2-D1104P-A3U2
HCM1-D1102P-B3U2	4	HCM2-D1104P-B3U2
ICM1-D1102N-A3U2	1	ICM2-D1104N-A3U2
ICM1-D1102N-B3U2	2	ICM2-D1104N-B3U2
ICM1-D1102P-A3U2	3	ICM2-D1104P-A3U2
ICM1-D1102P-B3U2	4	ICM2-D1104P-B3U2
ICM1-D1102P-S4U2	6	ICM2-D1104P-S4U2
ICM1-D1102N-S4U2	2	ICM2-D1104N-S4U2

Voltage drop:<1.5V(10-30V),<1V(5-36V), <2V(10-55V), following page is same.

4 φ 3x0.15
Approx.55 g

M 12	
●	○
2 mm	4 mm
stainless steel or nickel plated brass	
●	



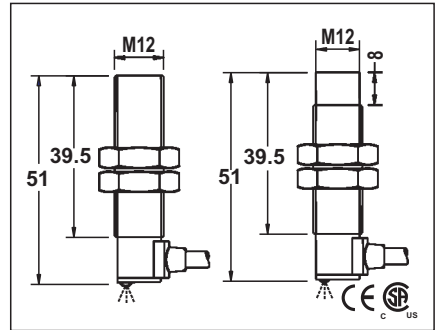
10-30VDC or 5-36VDC or 10-55VDC	
<10%	
<10mA	<20mA
200mA	
<0.01mA	
-	
<1.5V or <1.0V or <2.0V	
2KHZ	1KHZ
0.1ms/0.1ms	0.2ms/0.2ms
<15%(Sr)	
<1.0%(Sr)	
IP67	
-25°C - +70°C	
<10%(Sr)	
YES	
220mA	
<10ms	
RFI>3V/m / EFT>1KV / ESD>4KV (contact)	
IEC 60947-5-2,Part 7.4.1 / IEC 60947-5-2,Part 7.4.2	
POM	

FCM1-1202N-A3U2	1	FCM2-1204N-A3U2
FCM1-1202N-B3U2	2	FCM2-1204N-B3U2
FCM1-1202P-A3U2	3	FCM2-1204P-A3U2
FCM1-1202P-B3U2	4	FCM2-1204P-B3U2
FCM1-1202P-S4U2	6	FCM2-1204P-S4U2
FCM1-1202N-S4U2	5	FCM2-1204N-S4U2
FCM1-1202C-A2U2	7	FCM2-1204C-A2U2
FCM1-1202C-B2U2	8	FCM2-1204C-B2U2
HCM1-1202N-A3U2	1	HCM2-1204N-A3U2
HCM1-1202N-B3U2	2	HCM2-1204N-B3U2
HCM1-1202P-A3U2	3	HCM2-1204P-A3U2
HCM1-1202P-B3U2	4	HCM2-1204P-B3U2
ICM1-1202N-A3U2	1	ICM2-1204N-A3U2
ICM1-1202N-B3U2	2	ICM2-1204N-B3U2
ICM1-1202P-A3U2	3	ICM2-1204P-A3U2
ICM1-1202P-B3U2	4	ICM2-1204P-B3U2
ICM1-1202P-S4U2	6	ICM2-1204P-S4U2
ICM1-1202N-S4U2	5	ICM2-1204N-S4U2

Hxxx-xxxxx-xxxx.
 ↳ DC 10-55V type no load current <20mA. Following page is same.

4 φ 3x0.15
Approx.67 g
Approx.65 g

M 12	
●	○
2 mm	4 mm
stainless steel or nickel plated brass	
●	



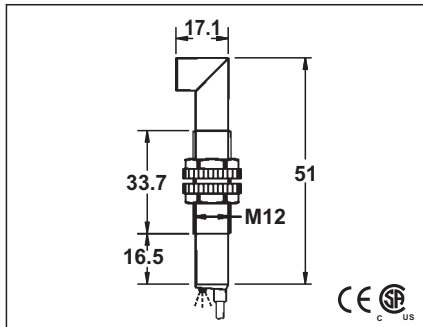
10-30VDC or 5-36VDC or 10-55VDC	
<10%	
<10mA	<20mA
200mA	
<0.01mA	
-	
<1.5V or <1.0V or <2.0V	
2KHZ	1KHZ
0.1ms/0.1ms	0.2ms/0.2ms
<15%(Sr)	
<1.0%(Sr)	
IP67	
-25°C - +70°C	
<10%(Sr)	
YES	
220mA	
<10ms	
RFI>3V/m / EFT>1KV / ESD>4KV (contact)	
IEC 60947-5-2,Part 7.4.1 / IEC 60947-5-2,Part 7.4.2	
POM	

FCM1-1202N-A3U2Y	1	FCM2-1204N-A3U2Y
FCM1-1202N-B3U2Y	2	FCM2-1204N-B3U2Y
FCM1-1202P-A3U2Y	3	FCM2-1204P-A3U2Y
FCM1-1202P-B3U2Y	4	FCM2-1204P-B3U2Y
FCM1-1202P-S4U2Y	6	FCM2-1204P-S4U2Y
FCM1-1202N-S4U2Y	5	FCM2-1204N-S4U2Y
FCM1-1202C-A2U2Y	7	FCM2-1204C-A2U2Y
FCM1-1202C-B2U2Y	8	FCM2-1204C-B2U2Y
HCM1-1202N-A3U2Y	1	HCM2-1204N-A3U2Y
HCM1-1202N-B3U2Y	2	HCM2-1204N-B3U2Y
HCM1-1202P-A3U2Y	3	HCM2-1204P-A3U2Y
HCM1-1202P-B3U2Y	4	HCM2-1204P-B3U2Y
ICM1-1202N-A3U2Y	1	ICM2-1204N-A3U2Y
ICM1-1202N-B3U2Y	2	ICM2-1204N-B3U2Y
ICM1-1202P-A3U2Y	3	ICM2-1204P-A3U2Y
ICM1-1202P-B3U2Y	4	ICM2-1204P-B3U2Y
ICM1-1202P-S4U2Y	6	ICM2-1204P-S4U2Y
ICM1-1202N-S4U2Y	5	ICM2-1204N-S4U2Y

4 φ 3x0.15
Approx.67 g
Approx.65 g

DC INDUCTIVE PROXIMITY SWITCH

M 12	
●	○
2 mm	4 mm
stainless steel or nickel plated brass	
●	



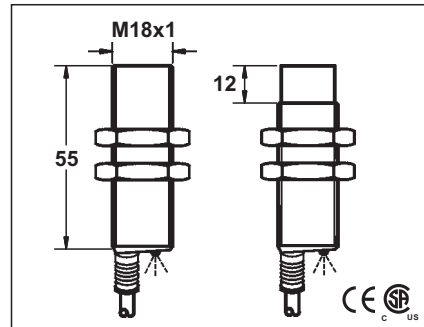
10-30VDC or 5-36VDC or 10-55VDC	
<10%	
<10mA	<20mA
200mA	
<0.01mA	
-	
-	
<1.5V or <1.0V or <2.0V	
2KHZ	1KHZ
0.1ms/0.1ms	0.2ms/0.2ms
<15%(Sr)	
<1.0%(Sr)	
IP67	
-25 °C - +70 °C	
<10%(Sr)	
YES	
220mA	
<10ms	
RFI>3V/m / EFT>1KV / ESD>4KV (contact)	
IEC 60947-5-2,Part 7.4.1 / IEC 60947-5-2,Part 7.4.2	
POM	

FCM1-1202N-A3U2Z	1	FCM2-1204N-A3U2Z
FCM1-1202N-B3U2Z	2	FCM2-1204N-B3U2Z
FCM1-1202P-A3U2Z	3	FCM2-1204P-A3U2Z
FCM1-1202P-B3U2Z	4	FCM2-1204P-B3U2Z
FCM1-1202P-S4U2Z	6	FCM2-1204P-S4U2Z
FCM1-1202N-S4U2Z	5	FCM2-1204N-S4U2Z
FCM1-1202C-A2U2Z	7	FCM2-1204C-A2U2Z
FCM1-1202C-B2U2Z	8	FCM2-1204C-B2U2Z
HCM1-1202N-A3U2Z	1	HCM2-1204N-A3U2Z
HCM1-1202N-B3U2Z	2	HCM2-1204N-B3U2Z
HCM1-1202P-A3U2Z	3	HCM2-1204P-A3U2Z
HCM1-1202P-B3U2Z	4	HCM2-1204P-B3U2Z
ICM1-1202N-A3U2Z	1	ICM2-1204N-A3U2Z
ICM1-1202N-B3U2Z	2	ICM2-1204N-B3U2Z
ICM1-1202P-A3U2Z	3	ICM2-1204P-A3U2Z
ICM1-1202P-B3U2Z	4	ICM2-1204P-B3U2Z
ICM1-1202P-S4U2Z	6	ICM2-1204P-S4U2Z
ICM1-1202N-S4U2Z	5	ICM2-1204N-S4U2Z



4 φ 3x0.15	
Approx.153 g	Approx.144 g

M18	
●	○
5 mm	8 mm
stainless steel or nickel plated brass	
●	



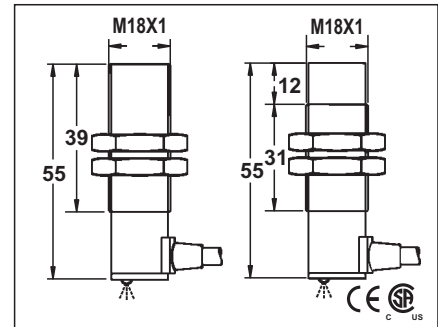
10-30VDC or 5-36VDC or 10-55VDC	
<10%	
<10mA	<20mA
200mA	
<0.01mA	
-	
-	
<1.5V or <1.0V or <2.0V	
1KHZ	500HZ
0.2ms/0.2ms	0.5ms/0.5ms
<15%(Sr)	
<1.0%(Sr)	
IP67	
-25 °C - +70 °C	
<10%(Sr)	
YES	
220mA	
<10ms	
RFI>3V/m / EFT>1KV / ESD>4KV (contact)	
IEC 60947-5-2,Part 7.4.1 / IEC 60947-5-2,Part 7.4.2	
PBT	

FCM1-1805N-A3U2	1	FCM2-1808N-A3U2
FCM1-1805N-B3U2	2	FCM2-1808N-B3U2
FCM1-1805P-A3U2	3	FCM2-1808P-A3U2
FCM1-1805P-B3U2	4	FCM2-1808P-B3U2
FCM1-1805P-S4U2	6	FCM2-1808P-S4U2
FCM1-1805N-S4U2	5	FCM2-1808N-S4U2
FCM1-1805C-A2U2	7	FCM2-1808C-A2U2
FCM1-1805C-B2U2	8	FCM2-1808C-B2U2
HCM1-1805N-A3U2	1	HCM2-1808N-A3U2
HCM1-1805N-B3U2	2	HCM2-1808N-B3U2
HCM1-1805P-A3U2	3	HCM2-1808P-A3U2
HCM1-1805P-B3U2	4	HCM2-1808P-B3U2
ICM1-1805N-A3U2	1	ICM2-1808N-A3U2
ICM1-1805N-B3U2	2	ICM2-1808N-B3U2
ICM1-1805P-A3U2	3	ICM2-1808P-A3U2
ICM1-1805P-B3U2	4	ICM2-1808P-B3U2
ICM1-1805P-S4U2	6	ICM2-1808P-S4U2
ICM1-1805N-S4U2	5	ICM2-1808N-S4U2



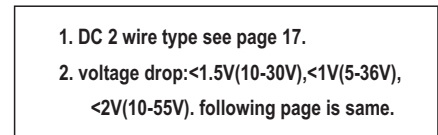
5.0 φ 44x0.1	
Approx.153 g	Approx.144 g

M 18	
●	○
5 mm	8 mm
stainless steel or nickel plated brass	
●	



10-30VDC or 5-36VDC or 10-55VDC	
<10%	
<10mA	<20mA
200mA	
<0.01mA	
-	
-	
<1.5V or <1.0V or <2.0V	
1KHZ	500HZ
0.2ms/0.2ms	0.5ms/0.5ms
<15%(Sr)	
<1.0%(Sr)	
IP67	
-25 °C - +70 °C	
<10%(Sr)	
YES	
220mA	
<10ms	
RFI>3V/m / EFT>1KV / ESD>4KV (contact)	
IEC 60947-5-2,Part 7.4.1 / IEC 60947-5-2,Part 7.4.2	
PBT	

FCM1-1805N-A3U2Y	1	FCM2-1808N-A3U2Y
FCM1-1805N-B3U2Y	2	FCM2-1808N-B3U2Y
FCM1-1805P-A3U2Y	3	FCM2-1808P-A3U2Y
FCM1-1805P-B3U2Y	4	FCM2-1808P-B3U2Y
FCM1-1805P-S4U2Y	6	FCM2-1808P-S4U2Y
FCM1-1805N-S4U2Y	5	FCM2-1808N-S4U2Y
FCM1-1805C-A2U2Y	7	FCM2-1808C-A2U2Y
FCM1-1805C-B2U2Y	8	FCM2-1808C-B2U2Y
HCM1-1805N-A3U2Y	1	HCM2-1808N-A3U2Y
HCM1-1805N-B3U2Y	2	HCM2-1808N-B3U2Y
HCM1-1805P-A3U2Y	3	HCM2-1808P-A3U2Y
HCM1-1805P-B3U2Y	4	HCM2-1808P-B3U2Y
ICM1-1805N-A3U2Y	1	ICM2-1808N-A3U2Y
ICM1-1805N-B3U2Y	2	ICM2-1808N-B3U2Y
ICM1-1805P-A3U2Y	3	ICM2-1808P-A3U2Y
ICM1-1805P-B3U2Y	4	ICM2-1808P-B3U2Y
ICM1-1805P-S4U2Y	6	ICM2-1808P-S4U2Y
ICM1-1805N-S4U2Y	5	ICM2-1808N-S4U2Y

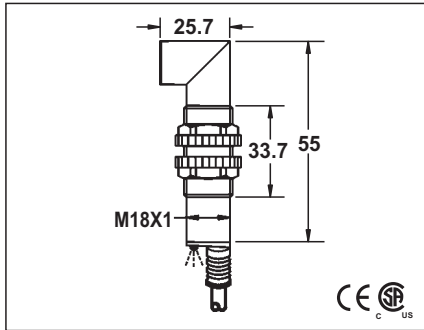


5.0 φ 44x0.1	
Approx.153 g	Approx.144 g

- DC 2 wire type see page 17.
- voltage drop:<1.5V(10-30V),<1V(5-36V), <2V(10-55V). following page is same.

DC INDUCTIVE PROXIMITY SWITCH

M 18	
●	○
5 mm	8 mm
stainless steel or nickel plated brass	
●	

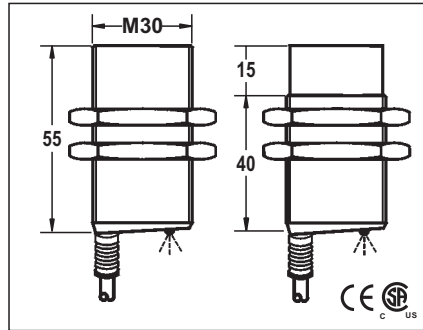


10-30VDC or 5-36VDC or 10-55VDC	
<10%	
<10mA	<20mA
200mA	
<0.01mA	
-	
-	
<1.5V or <1.0V or <2.0V	
1KHZ	500HZ
0.2ms/0.2ms	0.5ms/0.5ms
<15%(Sr)	
<1.0%(Sr)	
IP67	
-25 °C - +70 °C	
<10%(Sr)	
YES	
220mA	
<10ms	
RFI>3V/m / EFT>1KV / ESD>4KV (contact)	
IEC 60947-5-2, Part 7.4.1 / IEC 60947-5-2, Part 7.4.2	
PBT	

FCM1-1805N-A3U2Z	1	FCM2-1808N-A3U2Z
FCM1-1805N-B3U2Z	2	FCM2-1808N-B3U2Z
FCM1-1805P-A3U2Z	3	FCM2-1808P-A3U2Z
FCM1-1805P-B3U2Z	4	FCM2-1808P-B3U2Z
FCM1-1805P-S4U2Z	6	FCM2-1808P-S4U2Z
FCM1-1805N-S4U2Z	5	FCM2-1808N-S4U2Z
FCM1-1805C-A2U2Z	7	FCM2-1808C-A2U2Z
FCM1-1805C-B2U2Z	8	FCM2-1808C-B2U2Z
HCM1-1805N-A3U2Z	1	HCM2-1808N-A3U2Z
HCM1-1805N-B3U2Z	2	HCM2-1808N-B3U2Z
HCM1-1805P-A3U2Z	3	HCM2-1808P-A3U2Z
HCM1-1805P-B3U2Z	4	HCM2-1808P-B3U2Z
ICM1-1805N-A3U2Z	1	ICM2-1808N-A3U2Z
ICM1-1805N-B3U2Z	2	ICM2-1808N-B3U2Z
ICM1-1805P-A3U2Z	3	ICM2-1808P-A3U2Z
ICM1-1805P-B3U2Z	4	ICM2-1808P-B3U2Z
ICM1-1805P-S4U2Z	6	ICM2-1808P-S4U2Z
ICM1-1805N-S4U2Z	5	ICM2-1808N-S4U2Z

5.0φ 44x0.1	
Approx.153 g	Approx.144 g

M 30	
●	○
10 mm	15 mm
stainless steel or nickel plated brass	
●	

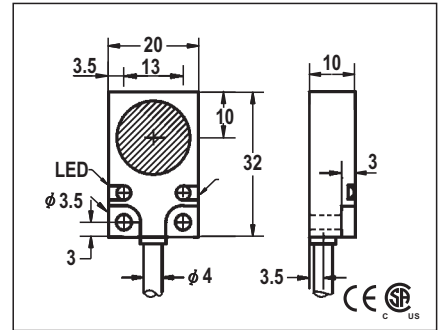


10-30VDC or 5-36VDC or 10-55VDC	
<10%	
<10mA	<20mA
200mA	
<0.01mA	
-	
-	
<1.5V or <1.0V or <2.0V	
1KHZ	500HZ
0.2ms/0.2ms	0.5ms/0.5ms
<15%(Sr)	
<1.0%(Sr)	
IP67	
-25 °C - +70 °C	
<10%(Sr)	
YES	
220mA	
<10ms	
RFI>3V/m / EFT>1KV / ESD>4KV (contact)	
IEC 60947-5-2, Part 7.4.1 / IEC 60947-5-2, Part 7.4.2	
PBT	

FCM1-3010N-A3U2	1	FCM2-3015N-A3U2
FCM1-3010N-B3U2	2	FCM2-3015N-B3U2
FCM1-3010P-A3U2	3	FCM2-3015P-A3U2
FCM1-3010P-B3U2	4	FCM2-3015P-B3U2
FCM1-3010P-S4U2	6	FCM2-3015P-S4U2
FCM1-3010N-S4U2	5	FCM2-3015N-S4U2
FCM1-3010C-A2U2	7	FCM2-3015C-A2U2
FCM1-3010C-B2U2	8	FCM2-3015C-B2U2
HCM1-3010N-A3U2	1	HCM2-3015N-A3U2
HCM1-3010N-B3U2	2	HCM2-3015N-B3U2
HCM1-3010P-A3U2	3	HCM2-3015P-A3U2
HCM1-3010P-B3U2	4	HCM2-3015P-B3U2
ICM1-3010N-A3U2	1	ICM2-3015N-A3U2
ICM1-3010N-B3U2	2	ICM2-3015N-B3U2
ICM1-3010P-A3U2	3	ICM2-3015P-A3U2
ICM1-3010P-B3U2	4	ICM2-3015P-B3U2
ICM1-3010P-S4U2	6	ICM2-3015P-S4U2
ICM1-3010N-S4U2	5	ICM2-3015N-S4U2

5.8φ3x0.5	
Approx.217 g	Approx.207 g

Q20x32x10	
●	
5 mm	
die-cast	
●	



10-30VDC or 5-36VDC or 10-55VDC	
<10%	
<10mA	<20mA
200mA	
<0.01mA	
-	
-	
<1.5V or <1.0V or <2.0V	
1KHZ	
0.2ms/0.2ms	
<15%(Sr)	
<1.0%(Sr)	
IP67	
-25 °C - +70 °C	
<10%(Sr)	
YES	
220mA	
<10ms	
RFI>3V/m / EFT>1KV / ESD>4KV (contact)	
IEC 60947-5-2, Part 7.4.1 / IEC 60947-5-2, Part 7.4.2	
PBT	

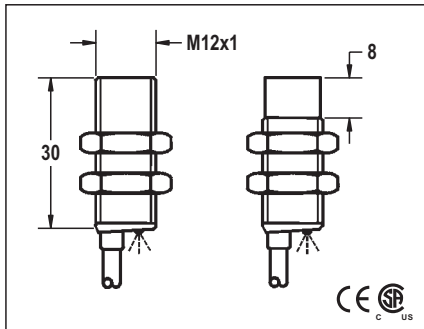
FQM1-2005N-A3U2T	1
FQM1-2005N-B3U2T	2
FQM1-2005P-A3U2T	3
FQM1-2005P-B3U2T	4
FQM1-2005P-S4U2T	6
FQM1-2005N-S4U2T	5
FQM1-2005C-A2U2T	7
FQM1-2005C-B2U2T	8
HQM1-2005N-A3U2T	1
HQM1-2005N-B3U2T	2
HQM1-2005P-A3U2T	3
HQM1-2005P-B3U2T	4
IQM1-2005N-A3U2T	1
IQM1-2005N-B3U2T	2
IQM1-2005P-A3U2T	3
IQM1-2005P-B3U2T	4
IQM1-2005P-S4U2T	6
IQM1-2005N-S4U2T	5

4φ 3x0.15	
Approx.55 g	

- DC 2 wire type see page 17.
- voltage drop:<1.5V(10-30V),<1V(5-36V), <2V(10-55V). following page is same.

DC INDUCTIVE SHORT FORM PROXIMITY SWITCH

M 12	
●	○
2 mm	4 mm
stainless steel or nickel plated brass	
●	

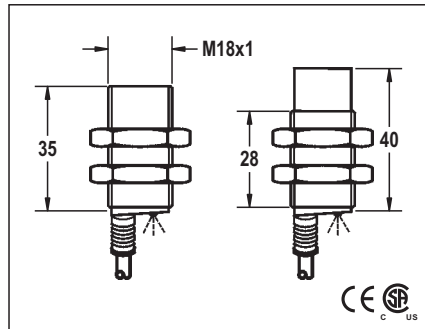


10-30VDC or 5-36VDC	
<10%	
<10mA	
200mA	
<0.01mA	
-	
-	
<1.5V(10-30V) or <1.0V(5-36V)	
2KHZ	1KHZ
0.1ms/0.1ms	0.2ms/0.2ms
<15%(Sr)	
<1.0%(Sr)	
IP67	
-25°C - +70°C	
<10%(Sr)	
YES	
220mA	
<10ms	
RFI>3V/m / EFT>1KV / ESD>4KV (contact)	
IEC 60947-5-2, Part 7.4.1 / IEC 60947-5-2, Part 7.4.2	
POM	PBT

FCM1-1202N-A3S2	1	FCM2-1204N-A3S2
FCM1-1202N-B3S2	2	FCM2-1204N-B3S2
FCM1-1202P-A3S2	3	FCM2-1204P-A3S2
FCM1-1202P-B3S2	4	FCM2-1204P-B3S2
FCM1-1202C-A2S2	7	FCM2-1204C-A2S2
FCM1-1202C-B2S2	8	FCM2-1204C-B2S2
ICM1-1202N-A3S2	1	ICM2-1204N-A3S2
ICM1-1202N-B3S2	2	ICM2-1204N-B3S2
ICM1-1202P-A3S2	3	ICM2-1204P-A3S2
ICM1-1202P-B3S2	4	ICM2-1204P-B3S2
ICM1-1202P-S4S2	6	ICM2-1204P-S4S2
ICM1-1202N-S4S2	5	ICM2-1204N-S4S2

4 φ 3x0.15	
Approx.62 g	Approx.60 g

M 18	
●	○
5 mm	8 mm
stainless steel or nickel plated brass	
●	

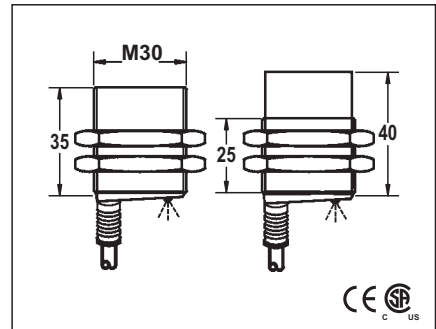


10-30VDC or 5-36VDC or 10-55VDC	
<10%	
<10mA	<20mA
200mA	
<0.01mA	
-	
-	
<1.5V or <1.0V or <2.0V	
1KHZ	500HZ
0.2ms/0.2ms	0.5ms/0.5ms
<15%(Sr)	
<1.0%(Sr)	
IP67	
-25°C - +70°C	
<10%(Sr)	
YES	
220mA	
<10ms	
RFI>3V/m / EFT>1KV / ESD>4KV (contact)	
IEC 60947-5-2, Part 7.4.1 / IEC 60947-5-2, Part 7.4.2	
PBT	

FCM1-1805N-A3S2	1	FCM2-1808N-A3S2
FCM1-1805N-B3S2	2	FCM2-1808N-B3S2
FCM1-1805P-A3S2	3	FCM2-1808P-A3S2
FCM1-1805P-B3S2	4	FCM2-1808P-B3S2
FCM1-1805P-S4S2	6	FCM2-1808P-S4S2
FCM1-1805N-S4S2	5	FCM2-1808N-S4S2
FCM1-1805C-A2S2	7	FCM2-1808C-A2S2
FCM1-1805C-B2S2	8	FCM2-1808C-B2S2
HCM1-1805N-A3S2	1	HCM2-1808N-A3S2
HCM1-1805N-B3S2	2	HCM2-1808N-B3S2
HCM1-1805P-A3S2	3	HCM2-1808P-A3S2
HCM1-1805P-B3S2	4	HCM2-1808P-B3S2
ICM1-1805N-A3S2	1	ICM2-1808N-A3S2
ICM1-1805N-B3S2	2	ICM2-1808N-B3S2
ICM1-1805P-A3S2	3	ICM2-1808P-A3S2
ICM1-1805P-B3S2	4	ICM2-1808P-B3S2
ICM1-1805P-S4S2	6	ICM2-1808P-S4S2
ICM1-1805N-S4S2	5	ICM2-1808N-S4S2

5.0 φ 44x0.1	
Approx.132 g	Approx.134 g

M 30	
●	○
10 mm	15 mm
stainless steel or nickel plated brass	
●	



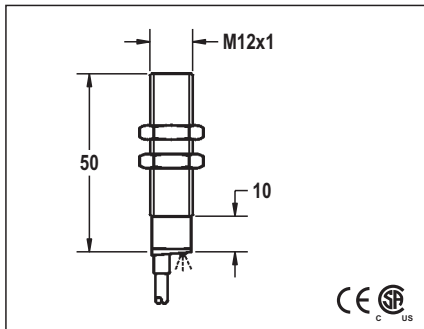
10-30VDC or 5-36VDC or 10-55VDC	
<10%	
<10mA	<20mA
200mA	
<0.01mA	
-	
-	
<1.5V or <1.0V or <2.0V	
300HZ	150HZ
0.5ms/0.5ms	1ms/1ms
<15%(Sr)	
<1.0%(Sr)	
IP67	
-25°C - +70°C	
<10%(Sr)	
YES	
220mA	
<10ms	
RFI>3V/m / EFT>1KV / ESD>4KV (contact)	
IEC 60947-5-2, Part 7.4.1 / IEC 60947-5-2, Part 7.4.2	
PBT	

FCM1-3010N-A3S2	1	FCM2-3015N-A3S2
FCM1-3010N-B3S2	2	FCM2-3015N-B3S2
FCM1-3010P-A3S2	3	FCM2-3015P-A3S2
FCM1-3010P-B3S2	4	FCM2-3015P-B3S2
FCM1-3010P-S4S2	6	FCM2-3015P-S4S2
FCM1-3010N-S4S2	5	FCM2-3015N-S4S2
FCM1-3010C-A2S2	7	FCM2-3015C-A2S2
FCM1-3010C-B2S2	8	FCM2-3015C-B2S2
HCM1-3010N-A3S2	1	HCM2-3015N-A3S2
HCM1-3010N-B3S2	2	HCM2-3015N-B3S2
HCM1-3010P-A3S2	3	HCM2-3015P-A3S2
HCM1-3010P-B3S2	4	HCM2-3015P-B3S2
ICM1-3010N-A3S2	1	ICM2-3015N-A3S2
ICM1-3010N-B3S2	2	ICM2-3015N-B3S2
ICM1-3010P-A3S2	3	ICM2-3015P-A3S2
ICM1-3010P-B3S2	4	ICM2-3015P-B3S2
ICM1-3010P-S4S2	6	ICM2-3015P-S4S2
ICM1-3010N-S4S2	5	ICM2-3015N-S4S2

5.8 φ 3x0.5	
Approx.180 g	Approx.182 g

DC INDUCTIVE PLASTIC HOUSING PROXIMITY SWITCH

M 12	
●	○
2 mm	4 mm
PBT RESIN	
●	

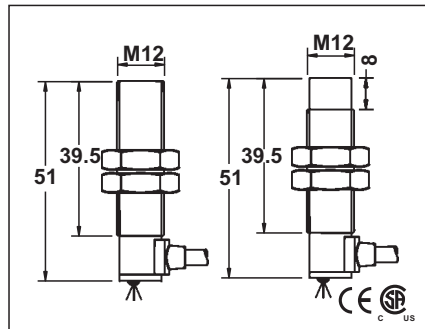


10-30VDC or 5-36VDC or 10-55VDC	
<10%	
<10mA	<20mA
200mA	
<0.01mA	
-	
-	
<1.5V or <1.0V or <2.0V	
2KHZ	1KHZ
0.1ms/0.1ms	0.2ms/0.2ms
<15%(Sr)	
<1.0%(Sr)	
IP67	
-25°C - +70°C	
<10%(Sr)	
YES	
220mA	
<10ms	
RFI>3V/m / EFT>1KV / ESD>4KV (contact)	
IEC 60947-5-2,Part 7.4.1 / IEC 60947-5-2,Part 7.4.2	
POM	

FCP1-1202N-A3U2	1	FCP2-1204N-A3U2
FCP1-1202N-B3U2	2	FCP2-1204N-B3U2
FCP1-1202P-A3U2	3	FCP2-1204P-A3U2
FCP1-1202P-B3U2	4	FCP2-1204P-B3U2
FCP1-1202P-S4U2	6	FCP2-1204P-S4U2
FCP1-1202N-S4U2	5	FCP2-1204N-S4U2
FCP1-1202C-A2U2	7	FCP2-1204C-A2U2
FCP1-1202C-B2U2	8	FCP2-1204C-B2U2
HCP1-1202N-A3U2	1	HCP2-1204N-A3U2
HCP1-1202N-B3U2	2	HCP2-1204N-B3U2
HCP1-1202P-A3U2	3	HCP2-1204P-A3U2
HCP1-1202P-B3U2	4	HCP2-1204P-B3U2
ICP1-1202N-A3U2	1	ICP2-1204N-A3U2
ICP1-1202N-B3U2	2	ICP2-1204N-B3U2
ICP1-1202P-A3U2	3	ICP2-1204P-A3U2
ICP1-1202P-B3U2	4	ICP2-1204P-B3U2
ICP1-1202P-S4U2	6	ICP2-1204P-S4U2
ICP1-1202N-S4U2	5	ICP2-1204N-S4U2

4φ 3x0.15
Approx.60 g

M 12	
●	○
2 mm	4 mm
PBT RESIN	
●	

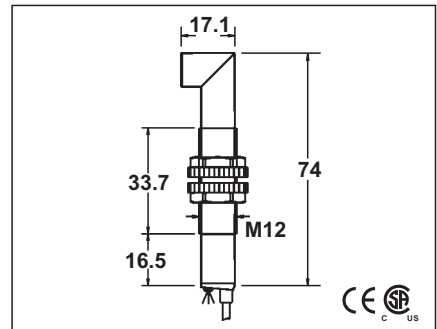


10-30VDC or 5-36VDC or 10-55VDC	
<10%	
<10mA	<20mA
200mA	
<0.01mA	
-	
-	
<1.5V or <1.0V or <2.0V	
2KHZ	1KHZ
0.1ms/0.1ms	0.2ms/0.2ms
<15%(Sr)	
<1.0%(Sr)	
IP67	
-25°C - +70°C	
<10%(Sr)	
YES	
220mA	
<10ms	
RFI>3V/m / EFT>1KV / ESD>4KV (contact)	
IEC 60947-5-2,Part 7.4.1 / IEC 60947-5-2,Part 7.4.2	
POM	PBT

FCP1-1202N-A3U2Y	1	FCP2-1204N-A3U2Y
FCP1-1202N-B3U2Y	2	FCP2-1204N-B3U2Y
FCP1-1202P-A3U2Y	3	FCP2-1204P-A3U2Y
FCP1-1202P-B3U2Y	4	FCP2-1204P-B3U2Y
FCP1-1202P-S4U2Y	6	FCP2-1204P-S4U2Y
FCP1-1202N-S4U2Y	5	FCP2-1204N-S4U2Y
FCP1-1202C-A2U2Y	7	FCP2-1204C-A2U2Y
FCP1-1202C-B2U2Y	8	FCP2-1204C-B2U2Y
HCP1-1202N-A3U2Y	1	HCP2-1204N-A3U2Y
HCP1-1202N-B3U2Y	2	HCP2-1204N-B3U2Y
HCP1-1202P-A3U2Y	3	HCP2-1204P-A3U2Y
HCP1-1202P-B3U2Y	4	HCP2-1204P-B3U2Y
ICP1-1202N-A3U2Y	1	ICP2-1204N-A3U2Y
ICP1-1202N-B3U2Y	2	ICP2-1204N-B3U2Y
ICP1-1202P-A3U2Y	3	ICP2-1204P-A3U2Y
ICP1-1202P-B3U2Y	4	ICP2-1204P-B3U2Y
ICP1-1202P-S4U2Y	6	ICP2-1204P-S4U2Y
ICP1-1202N-S4U2Y	5	ICP2-1204N-S4U2Y

4φ 3x0.15
Approx.60 g

M 12	
●	○
2 mm	4 mm
PBT RESIN	
●	



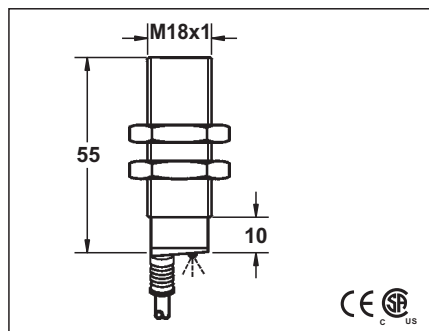
10-30VDC or 5-36VDC or 10-55VDC	
<10%	
<10mA	<20mA
200mA	
<0.01mA	
-	
-	
<1.5V or <1.0V or <2.0V	
2KHZ	1KHZ
0.1ms/0.1ms	0.2ms/0.2ms
<15%(Sr)	
<1.0%(Sr)	
IP67	
-25°C - +70°C	
<10%(Sr)	
YES	
220mA	
<10ms	
RFI>3V/m / EFT>1KV / ESD>4KV (contact)	
IEC 60947-5-2,Part 7.4.1 / IEC 60947-5-2,Part 7.4.2	
POM	

FCP1-1202N-A3U2Z	1	FCP2-1204N-A3U2Z
FCP1-1202N-B3U2Z	2	FCP2-1204N-B3U2Z
FCP1-1202P-A3U2Z	3	FCP2-1204P-A3U2Z
FCP1-1202P-B3U2Z	4	FCP2-1204P-B3U2Z
FCP1-1202P-S4U2Z	6	FCP2-1204P-S4U2Z
FCP1-1202N-S4U2Z	5	FCP2-1204N-S4U2Z
FCP1-1202C-A2U2Z	7	FCP2-1204C-A2U2Z
FCP1-1202C-B2U2Z	8	FCP2-1204C-B2U2Z
HCP1-1202N-A3U2Z	1	HCP2-1204N-A3U2Z
HCP1-1202N-B3U2Z	2	HCP2-1204N-B3U2Z
HCP1-1202P-A3U2Z	3	HCP2-1204P-A3U2Z
HCP1-1202P-B3U2Z	4	HCP2-1204P-B3U2Z
ICP1-1202N-A3U2Z	1	ICP2-1204N-A3U2Z
ICP1-1202N-B3U2Z	2	ICP2-1204N-B3U2Z
ICP1-1202P-A3U2Z	3	ICP2-1204P-A3U2Z
ICP1-1202P-B3U2Z	4	ICP2-1204P-B3U2Z
ICP1-1202P-S4U2Z	6	ICP2-1204P-S4U2Z
ICP1-1202N-S4U2Z	5	ICP2-1204N-S4U2Z

4φ 3x0.15
Approx.60 g

DC INDUCTIVE PLASTIC HOUSING PROXIMITY SWITCH

M 18	
●	○
2 mm	4 mm
PBT RESIN	
●	

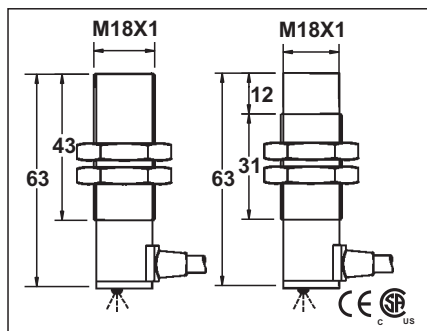


10-30VDC or 5-36VDC or 10-55VDC	
<10%	
<10mA	<20mA
200mA	
<0.01mA	
-	
<1.5V or <1.0V or <2.0V	
1KHZ	500HZ
0.2ms/0.2ms	0.5ms/0.5ms
<15%(Sr)	
<1.0%(Sr)	
IP67	
-25 °C - +70 °C	
<10%(Sr)	
YES	
220mA	
<10ms	
RFI>3V/m / EFT>1KV / ESD>4KV (contact)	
IEC 60947-5-2, Part 7.4.1 / IEC 60947-5-2, Part 7.4.2	
PBT	

FCP1-1805N-A3U2	1	FCP2-1808N-A3U2
FCP1-1805N-B3U2	2	FCP2-1808N-B3U2
FCP1-1805P-A3U2	3	FCP2-1808P-A3U2
FCP1-1805P-B3U2	4	FCP2-1808P-B3U2
FCP1-1805P-S4U2	6	FCP2-1808P-S4U2
FCP1-1805N-S4U2	5	FCP2-1808N-S4U2
FCP1-1805C-A2U2	7	FCP2-1808C-A2U2
FCP1-1805C-B2U2	8	FCP2-1808C-B2U2
HCP1-1805N-A3U2	1	HCP2-1808N-A3U2
HCP1-1805N-B3U2	2	HCP2-1808N-B3U2
HCP1-1805P-A3U2	3	HCP2-1808P-A3U2
HCP1-1805P-B3U2	4	HCP2-1808P-B3U2
ICP1-1805N-A3U2	1	ICP2-1808N-A3U2
ICP1-1805N-B3U2	2	ICP2-1808N-B3U2
ICP1-1805P-A3U2	3	ICP2-1808P-A3U2
ICP1-1805P-B3U2	4	ICP2-1808P-B3U2
ICP1-1805P-S4U2	6	ICP2-1808P-S4U2
ICP1-1805N-S4U2	5	ICP2-1808N-S4U2

5.0φ44 x 0.1
Approx.135 g

M 18	
●	○
5 mm	8 mm
PBT RESIN	
●	

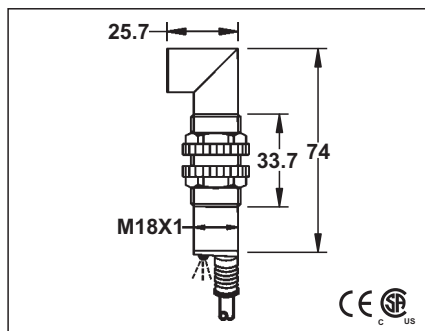


10-30VDC or 5-36VDC or 10-55VDC	
<10%	
<10mA	<20mA
200mA	
<0.01mA	
-	
<1.5V or <1.0V or <2.0V	
1KHZ	500HZ
0.2ms/0.2ms	0.5ms/0.5ms
<15%(Sr)	
<1.0%(Sr)	
IP67	
-25 °C - +70 °C	
<10%(Sr)	
YES	
220mA	
<10ms	
RFI>3V/m / EFT>1KV / ESD>4KV (contact)	
IEC 60947-5-2, Part 7.4.1 / IEC 60947-5-2, Part 7.4.2	
PBT	

FCP1-1805N-A3U2Y	1	FCP2-1808N-A3U2Y
FCP1-1805N-B3U2Y	2	FCP2-1808N-B3U2Y
FCP1-1805P-A3U2Y	3	FCP2-1808P-A3U2Y
FCP1-1805P-B3U2Y	4	FCP2-1808P-B3U2Y
FCP1-1805P-S4U2Y	6	FCP2-1808P-S4U2Y
FCP1-1805N-S4U2Y	5	FCP2-1808N-S4U2Y
FCP1-1805C-A2U2Y	7	FCP2-1808C-A2U2Y
FCP1-1805C-B2U2Y	8	FCP2-1808C-B2U2Y
HCP1-1805N-A3U2Y	1	HCP2-1808N-A3U2Y
HCP1-1805N-B3U2Y	2	HCP2-1808N-B3U2Y
HCP1-1805P-A3U2Y	3	HCP2-1808P-A3U2Y
HCP1-1805P-B3U2Y	4	HCP2-1808P-B3U2Y
ICP1-1805N-A3U2Y	1	ICP2-1808N-A3U2Y
ICP1-1805N-B3U2Y	2	ICP2-1808N-B3U2Y
ICP1-1805P-A3U2Y	3	ICP2-1808P-A3U2Y
ICP1-1805P-B3U2Y	4	ICP2-1808P-B3U2Y
ICP1-1805P-S4U2Y	6	ICP2-1808P-S4U2Y
ICP1-1805N-S4U2Y	5	ICP2-1808N-S4U2Y

5.0φ44x0.1
Approx.135 g

M 18	
●	○
5 mm	8 mm
PBT RESIN	
●	



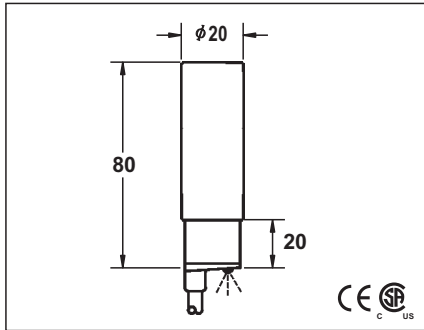
10-30VDC or 5-36VDC or 10-55VDC	
<10%	
<10mA	<20mA
200mA	
<0.01mA	
-	
<1.5V or <1.0V or <2.0V	
1KHZ	500HZ
0.2ms/0.2ms	0.5ms/0.5ms
<15%(Sr)	
<1.0%(Sr)	
IP67	
-25 °C - +70 °C	
<10%(Sr)	
YES	
220mA	
<10ms	
RFI>3V/m / EFT>1KV / ESD>4KV (contact)	
IEC 60947-5-2, Part 7.4.1 / IEC 60947-5-2, Part 7.4.2	
PBT	

FCP1-1805N-A3U2Z	1	FCP2-1808N-A3U2Z
FCP1-1805N-B3U2Z	2	FCP2-1808N-B3U2Z
FCP1-1805P-A3U2Z	3	FCP2-1808P-A3U2Z
FCP1-1805P-B3U2Z	4	FCP2-1808P-B3U2Z
FCP1-1805P-S4U2Z	6	FCP2-1808P-S4U2Z
FCP1-1805N-S4U2Z	5	FCP2-1808N-S4U2Z
FCP1-1805C-A2U2Z	7	FCP2-1808C-A2U2Z
FCP1-1805C-B2U2Z	8	FCP2-1808C-B2U2Z
HCP1-1805N-A3U2Z	1	HCP2-1808N-A3U2Z
HCP1-1805N-B3U2Z	2	HCP2-1808N-B3U2Z
HCP1-1805P-A3U2Z	3	HCP2-1808P-A3U2Z
HCP1-1805P-B3U2Z	4	HCP2-1808P-B3U2Z
ICP1-1805N-A3U2Z	1	ICP2-1808N-A3U2Z
ICP1-1805N-B3U2Z	2	ICP2-1808N-B3U2Z
ICP1-1805P-A3U2Z	3	ICP2-1808P-A3U2Z
ICP1-1805P-B3U2Z	4	ICP2-1808P-B3U2Z
ICP1-1805P-S4U2Z	6	ICP2-1808P-S4U2Z
ICP1-1805N-S4U2Z	5	ICP2-1808N-S4U2Z

5.0φ44x0.1
Approx.135 g

DC INDUCTIVE PLASTIC HOUSING PROXIMITY SWITCH

φ20
○
10 mm
PBT RESIN
●

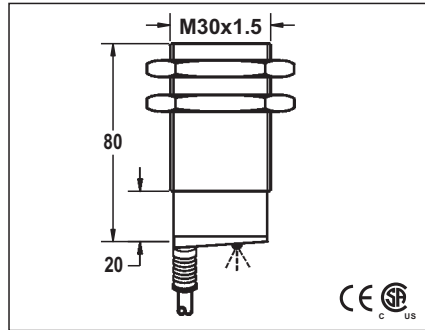


10-30VDC or 5-36VDC or 10-55VDC	
<10%	
<10mA	<20mA
200mA	
<0.01mA	
-	
<1.5V or <1.0V or <2.0V	
500HZ	
0.5ms/0.5ms	
<15%(Sr)	
<1.0%(Sr)	
IP67	
-25°C - +70°C	
<10%(Sr)	
YES	
220mA	
<10ms	
RFI>3V/m / EFT>1KV / ESD>4KV (contact)	
IEC 60947-5-2,Part 7.4.1 / IEC 60947-5-2,Part 7.4.2	
POM	

FCP2-D2010N-A3U2	1
FCP2-D2010N-B3U2	2
FCP2-D2010P-A3U2	3
FCP2-D2010P-B3U2	4
FCP2-D2010P-S4U2	6
FCP2-D2010N-S4U2	5
FCP2-D2010C-A2U2	7
FCP2-D2010C-B2U2	8
HCP2-D2010N-A3U2	1
HCP2-D2010N-B3U2	2
HCP2-D2010P-A3U2	3
HCP2-D2010P-B3U2	4
ICP2-D2010N-A3U2	1
ICP2-D2010N-B3U2	2
ICP2-D2010P-A3U2	3
ICP2-D2010P-B3U2	4
ICP2-D2010P-S4U2	6
ICP2-D2010N-S4U2	5

5.8φ 3x0.5
Approx.153 g

M 30	
●	○
10 mm	15 mm
PBT RESIN	
●	

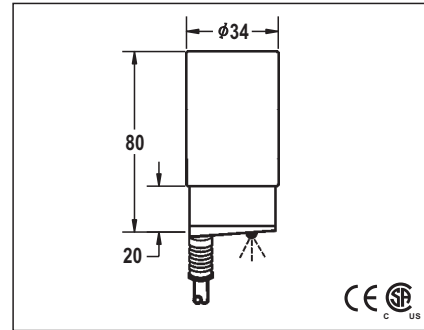


10-30VDC or 5-36VDC or 10-55VDC	
<10%	
<10mA	<20mA
200mA	
<0.01mA	
-	
<1.5V or <1.0V or <2.0V	
300HZ	
150HZ	
0.5ms/0.5ms	
1ms/1ms	
<15%(Sr)	
<1.0%(Sr)	
IP67	
-25°C - +70°C	
<10%(Sr)	
YES	
220mA	
<10ms	
RFI>3V/m / EFT>1KV / ESD>4KV (contact)	
IEC 60947-5-2,Part 7.4.1 / IEC 60947-5-2,Part 7.4.2	
PBT	

FCP1-3010N-A3U2	1	FCP2-3015N-A3U2
FCP1-3010N-B3U2	2	FCP2-3015N-B3U2
FCP1-3010P-A3U2	3	FCP2-3015P-A3U2
FCP1-3010P-B3U2	4	FCP2-3015P-B3U2
FCP1-3010P-S4U2	6	FCP2-3015P-S4U2
FCP1-3010N-S4U2	5	FCP2-3015N-S4U2
FCP1-3010C-A2U2	7	FCP2-3015C-A2U2
FCP1-3010C-B2U2	8	FCP2-3015C-B2U2
HCP1-3010N-A3U2	1	HCP2-3015N-A3U2
HCP1-3010N-B3U2	2	HCP2-3015N-B3U2
HCP1-3010P-A3U2	3	HCP2-3015P-A3U2
HCP1-3010P-B3U2	4	HCP2-3015P-B3U2
ICP1-3010N-A3U2	1	ICP2-3015N-A3U2
ICP1-3010N-B3U2	2	ICP2-3015N-B3U2
ICP1-3010P-A3U2	3	ICP2-3015P-A3U2
ICP1-3010P-B3U2	4	ICP2-3015P-B3U2
ICP1-3010P-S4U2	6	ICP2-3015P-S4U2
ICP1-3010N-S4U2	5	ICP2-3015N-S4U2

5.8φ 3x0.5
Approx.200 g

φ34
●
20 mm
PBT RESIN
●



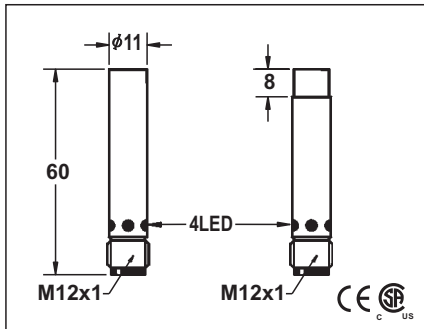
10-30VDC or 5-36VDC or 10-55VDC	
<10%	
<10mA	<20mA
200mA	
<0.01mA	
-	
<1.5V or <1.0V or <2.0V	
150HZ	
1ms/1ms	
<15%(Sr)	
<1.0%(Sr)	
IP67	
-25°C - +70°C	
<10%(Sr)	
YES	
220mA	
<10ms	
RFI>3V/m / EFT>1KV / ESD>4KV (contact)	
IEC 60947-5-2,Part 7.4.1 / IEC 60947-5-2,Part 7.4.2	
PBT	

FCP2-D3420N-A3U2	1
FCP2-D3420N-B3U2	2
FCP2-D3420P-A3U2	3
FCP2-D3420P-B3U2	4
FCP2-D3420P-S4U2	6
FCP2-D3420N-S4U2	5
FCP2-D3420C-A2U2	7
FCP2-D3420C-B2U2	8
HCP2-D3420N-A3U2	1
HCP2-D3420N-B3U2	2
HCP2-D3420P-A3U2	3
HCP2-D3420P-B3U2	4
ICP2-D3420N-A3U2	1
ICP2-D3420N-B3U2	2
ICP2-D3420P-A3U2	3
ICP2-D3420P-B3U2	4
ICP2-D3420P-S4U2	6
ICP2-D3420N-S4U2	5

5.8φ 3x0.5
Approx.259 g

DC INDUCTIVE PROXIMITY SWITCH CONNECTOR TYPE

φ11	
●	○
2 mm	4 mm
stainless steel or nickel plated brass	
●	

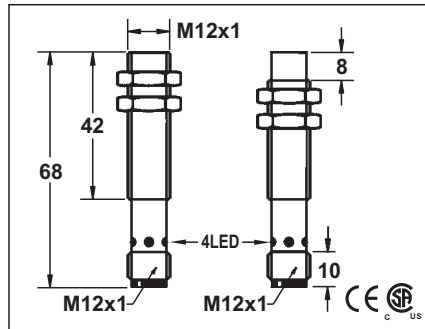


10-30VDC or 5-36VDC or 10-55VDC	
<10%	
<10mA	<20mA
200mA	
<0.01mA	
-	
<1.5V or <1.0V or <2.0V	
2KHZ	1KHZ
0.1ms/0.1ms	0.2ms/0.2ms
<15%(Sr)	
<1.0%(Sr)	
IP67	
-25 °C - +70 °C	
<10%(Sr)	
YES	
220mA	
<10ms	
RFI>3V/m / EFT>1KV / ESD>4KV (contact)	
IEC 60947-5-2, Part 7.4.1 / IEC 60947-5-2, Part 7.4.2	
POM	

FCM1-D1102N-ARU4	29	FCM2-D1104N-ARU4
FCM1-D1102N-BRU4	30	FCM2-D1104N-BRU4
FCM1-D1102P-ARU4	31	FCM2-D1104P-ARU4
FCM1-D1102P-BRU4	32	FCM2-D1104P-BRU4
FCM1-D1102P-SRU4	34	FCM2-D1104P-SRU4
FCM1-D1102N-SRU4	33	FCM2-D1104N-SRU4
FCM1-D1102C-ARU4	36	FCM2-D1104C-ARU4
FCM1-D1102C-BRU4	74	FCM2-D1104C-BRU4
HCM1-D1102N-ARU4	29	HCM2-D1104N-ARU4
HCM1-D1102N-BRU4	30	HCM2-D1104N-BRU4
HCM1-D1102P-ARU4	31	HCM2-D1104P-ARU4
HCM1-D1102P-BRU4	32	HCM2-D1104P-BRU4
ICM1-D1102N-ARU4	29	ICM2-D1104N-ARU4
ICM1-D1102N-BRU4	30	ICM2-D1104N-BRU4
ICM1-D1102P-ARU4	31	ICM2-D1104P-ARU4
ICM1-D1102P-BRU4	32	ICM2-D1104P-BRU4
ICM1-D1102P-SRU4	34	ICM2-D1104P-SRU4
ICM1-D1102N-SRU4	33	ICM2-D1104N-SRU4

Approx.30 g		Approx.29 g	
-------------	--	-------------	--

M 12	
●	○
2 mm	4 mm
stainless steel or nickel plated brass	
●	

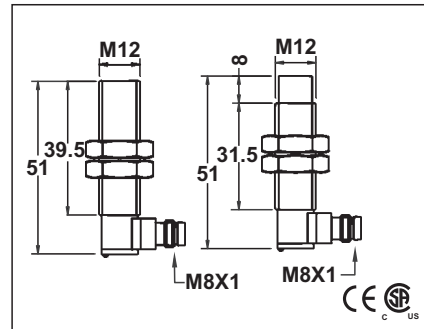


10-30VDC or 5-36VDC or 10-55VDC	
<10%	
<10mA	<20mA
200mA	
<0.01mA	
-	
<1.5V or <1.0V or <2.0V	
2KHZ	1KHZ
0.1ms/0.1ms	0.2ms/0.2ms
<15%(Sr)	
<1.0%(Sr)	
IP67	
-25 °C - +70 °C	
<10%(Sr)	
YES	
220mA	
<10ms	
RFI>3V/m / EFT>1KV / ESD>4KV (contact)	
IEC 60947-5-2, Part 7.4.1 / IEC 60947-5-2, Part 7.4.2	
POM	PBT

FCM1-1202N-ARU4	29	FCM2-1204N-ARU4
FCM1-1202N-BRU4	30	FCM2-1204N-BRU4
FCM1-1202P-ARU4	31	FCM2-1204P-ARU4
FCM1-1202P-BRU4	32	FCM2-1204P-BRU4
FCM1-1202P-SRU4	34	FCM2-1204P-SRU4
FCM1-1202N-SRU4	33	FCM2-1204N-SRU4
FCM1-1202C-ARU4	36	FCM2-1204C-ARU4
FCM1-1202C-BRU4	74	FCM2-1204C-BRU4
HCM1-1202N-ARU4	29	HCM2-1204N-ARU4
HCM1-1202N-BRU4	30	HCM2-1204N-BRU4
HCM1-1202P-ARU4	31	HCM2-1204P-ARU4
HCM1-1202P-BRU4	32	HCM2-1204P-BRU4
ICM1-1202N-ARU4	29	ICM2-1204N-ARU4
ICM1-1202N-BRU4	30	ICM2-1204N-BRU4
ICM1-1202P-ARU4	31	ICM2-1204P-ARU4
ICM1-1202P-BRU4	32	ICM2-1204P-BRU4
ICM1-1202P-SRU4	34	ICM2-1204P-SRU4
ICM1-1202N-SRU4	33	ICM2-1204N-SRU4

Approx.31 g		Approx.30 g	
-------------	--	-------------	--

M 12	
●	○
2 mm	4 mm
stainless steel or nickel plated brass	
●	



10-30VDC or 5-36VDC or 10-55VDC	
<10%	
<10mA	<20mA
200mA	
<0.01mA	
-	
<1.5V or <1.0V or <2.0V	
2KHZ	1KHZ
0.1ms/0.1ms	0.2ms/0.2ms
<15%(Sr)	
<1.0%(Sr)	
IP67	
-25 °C - +70 °C	
<10%(Sr)	
YES	
220mA	
<10ms	
RFI>3V/m / EFT>1KV / ESD>4KV (contact)	
IEC 60947-5-2, Part 7.4.1 / IEC 60947-5-2, Part 7.4.2	
POM	PBT

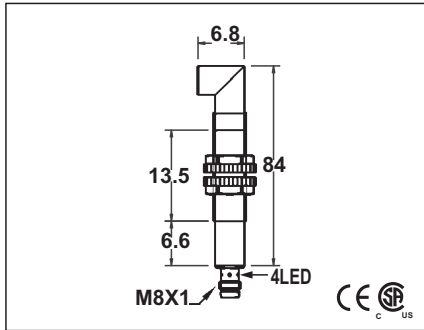
FCM1-1202N-ACU3Y	29	FCM2-1204N-ACU3Y
FCM1-1202N-BCU3Y	30	FCM2-1204N-BCU3Y
FCM1-1202P-ACU3Y	31	FCM2-1204P-ACU3Y
FCM1-1202P-BCU3Y	32	FCM2-1204P-BCU3Y
FCM1-1202P-SCU4Y	34	FCM2-1204P-SCU4Y
FCM1-1202N-SCU4Y	33	FCM2-1204N-SCU4Y
FCM1-1202C-ACU3Y	36	FCM2-1204C-ACU3Y
FCM1-1202C-BCU3Y	74	FCM2-1204C-BCU3Y
HCM1-1202N-ACU3Y	29	HCM2-1204N-ACU3Y
HCM1-1202N-BCU3Y	30	HCM2-1204N-BCU3Y
HCM1-1202P-ACU3Y	31	HCM2-1204P-ACU3Y
HCM1-1202P-BCU3Y	32	HCM2-1204P-BCU3Y
ICM1-1202N-ACU3Y	29	ICM2-1204N-ACU3Y
ICM1-1202N-BCU3Y	30	ICM2-1204N-BCU3Y
ICM1-1202P-ACU3Y	31	ICM2-1204P-ACU3Y
ICM1-1202P-BCU3Y	32	ICM2-1204P-BCU3Y
ICM1-1202P-SCU4Y	34	ICM2-1204P-SCU4Y
ICM1-1202N-SCU4Y	33	ICM2-1204N-SCU4Y

Approx.31 g		Approx.30 g	
-------------	--	-------------	--

- DC 2 wire type see page 17.
- voltage drop:<1.5V(10-30V),<1V(5-36V), <2V(10-55V).
- 10-55V type: no load current <20mA.

DC INDUCTIVE PROXIMITY SWITCH CONNECTOR TYPE

M 12	
●	○
2 mm	4 mm
stainless steel or nickel plated brass	
●	

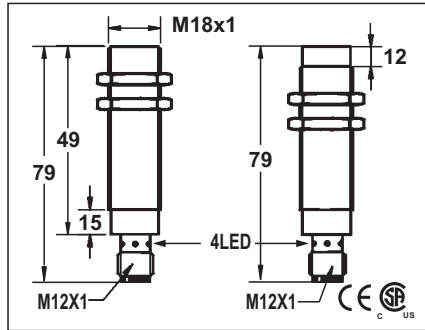


10-30VDC or 5-36VDC or 10-55VDC	
<10%	
<10mA	<20mA
200mA	
<0.01mA	
-	
-	
<1.5V or <1.0V or <2.0V	
2KHZ	1KHZ
0.1ms/0.1ms	0.2ms/0.2ms
<15%(Sr)	
<1.0%(Sr)	
IP67	
-25 °C - +70 °C	
<10%(Sr)	
YES	
220mA	
<10ms	
RFI>3V/m / EFT>1KV / ESD>4KV (contact)	
IEC 60947-5-2,Part 7.4.1 / IEC 60947-5-2,Part 7.4.2	
POM	

FCM1-1202N-ACU3Z	29	FCM2-1204N-ACU3Z
FCM1-1202N-BCU3Z	30	FCM2-1204N-BCU3Z
FCM1-1202P-ACU3Z	31	FCM2-1204P-ACU3Z
FCM1-1202P-BCU3Z	32	FCM2-1204P-BCU3Z
FCM1-1202P-SCU4Z	34	FCM2-1204P-SCU4Z
FCM1-1202N-SCU4Z	33	FCM2-1204N-SCU4Z
FCM1-1202C-ACU3Z	36	FCM2-1204C-ACU3Z
FCM1-1202C-BCU3Z	74	FCM2-1204C-BCU3Z
HCM1-1202N-ACU3Z	29	HCM2-1204N-ACU3Z
HCM1-1202N-BCU3Z	30	HCM2-1204N-BCU3Z
HCM1-1202P-ACU3Z	31	HCM2-1204P-ACU3Z
HCM1-1202P-BCU3Z	32	HCM2-1204P-BCU3Z
ICM1-1202N-ACU3Z	29	ICM2-1204N-ACU3Z
ICM1-1202N-BCU3Z	30	ICM2-1204N-BCU3Z
ICM1-1202P-ACU3Z	31	ICM2-1204P-ACU3Z
ICM1-1202P-BCU3Z	32	ICM2-1204P-BCU3Z
ICM1-1202P-SCU4Z	34	ICM2-1204P-SCU4Z
ICM1-1202N-SCU4Z	33	ICM2-1204N-SCU4Z

Approx.31 g		Approx.30 g	
-------------	--	-------------	--

M 18	
●	○
5 mm	8 mm
stainless steel or nickel plated brass	
●	

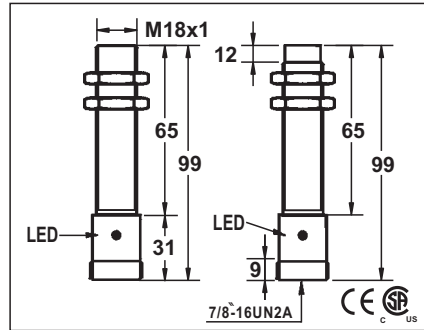


10-30VDC or 5-36VDC or 10-55VDC	
<10%	
<10mA	<20mA
200mA	
<0.01mA	
-	
-	
<1.5V or <1.0V or <2.0V	
1KHZ	500HZ
0.2ms/0.2ms	0.5ms/0.5ms
<15%(Sr)	
<1.0%(Sr)	
IP67	
-25 °C - +70 °C	
<10%(Sr)	
YES	
220mA	
<10ms	
RFI>3V/m / EFT>1KV / ESD>4KV (contact)	
IEC 60947-5-2,Part 7.4.1 / IEC 60947-5-2,Part 7.4.2	
PBT	

FCM1-1805N-ARU4	29	FCM2-1808N-ARU4
FCM1-1805N-BRU4	30	FCM2-1808N-BRU4
FCM1-1805P-ARU4	31	FCM2-1808P-ARU4
FCM1-1805P-BRU4	32	FCM2-1808P-BRU4
FCM1-1805P-SRU4	34	FCM2-1808P-SRU4
FCM1-1805N-SRU4	33	FCM2-1808N-SRU4
FCM1-1805C-ARU4	36	FCM2-1808C-ARU4
FCM1-1805C-BRU4	74	FCM2-1808C-BRU4
HCM1-1805N-ARU4	29	HCM2-1808N-ARU4
HCM1-1805N-BRU4	30	HCM2-1808N-BRU4
HCM1-1805P-ARU4	31	HCM2-1808P-ARU4
HCM1-1805P-BRU4	32	HCM2-1808P-BRU4
ICM1-1805N-ARU4	29	ICM2-1808N-ARU4
ICM1-1805N-BRU4	30	ICM2-1808N-BRU4
ICM1-1805P-ARU4	31	ICM2-1808P-ARU4
ICM1-1805P-BRU4	32	ICM2-1808P-BRU4
ICM1-1805P-SRU4	34	ICM2-1808P-SRU4
ICM1-1805N-SRU4	33	ICM2-1808N-SRU4

1. DC 2 wire type see page 17.			
2. voltage drop:<1.5V(10-30V),<1V(5-36V), <2V(10-55V).			
3. 10-55V type: no load current < 20mA.			
Approx.94 g		Approx.91 g	

M 18	
●	○
5 mm	8 mm
stainless steel or nickel plated brass	
●	



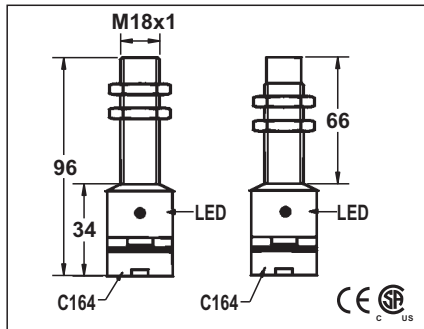
10-30VDC or 5-36VDC or 10-55VDC	
<10%	
<10mA	<20mA
200mA	
<0.01mA	
-	
-	
<1.5V or <1.0V or <2.0V	
1KHZ	500HZ
0.2ms/0.2ms	0.5ms/0.5ms
<15%(Sr)	
<1.0%(Sr)	
IP67	
-25 °C - +70 °C	
<10%(Sr)	
YES	
220mA	
<10ms	
RFI>3V/m / EFT>1KV / ESD>4KV (contact)	
IEC 60947-5-2,Part 7.4.1 / IEC 60947-5-2,Part 7.4.2	
PBT	

FCM1-1805N-AZU4	37	FCM2-1808N-AZU4
FCM1-1805N-BZU4	38	FCM2-1808N-BZU4
FCM1-1805P-AZU4	39	FCM2-1808P-AZU4
FCM1-1805P-BZU4	40	FCM2-1808P-BZU4
FCM1-1805P-SZU4	42	FCM2-1808P-SZU4
FCM1-1805N-SZU4	41	FCM2-1808N-SZU4
FCM1-1805C-AZU4	43	FCM2-1808C-AZU4
FCM1-1805C-BZU4	75	FCM2-1808C-BZU4
HCM1-1805N-AZU4	37	HCM2-1808N-AZU4
HCM1-1805N-BZU4	38	HCM2-1808N-BZU4
HCM1-1805P-AZU4	39	HCM2-1808P-AZU4
HCM1-1805P-BZU4	40	HCM2-1808P-BZU4
ICM1-1805N-AZU4	37	ICM2-1808N-AZU4
ICM1-1805N-BZU4	38	ICM2-1808N-BZU4
ICM1-1805P-AZU4	39	ICM2-1808P-AZU4
ICM1-1805P-BZU4	40	ICM2-1808P-BZU4
ICM1-1805P-SZU4	42	ICM2-1808P-SZU4
ICM1-1805N-SZU4	41	ICM2-1808N-SZU4

Approx.94 g		Approx.91 g	
-------------	--	-------------	--

DC INDUCTIVE PROXIMITY SWITCH CONNECTOR TYPE

M 18	
●	○
5 mm	8 mm
stainless steel or nickel plated brass	
●	

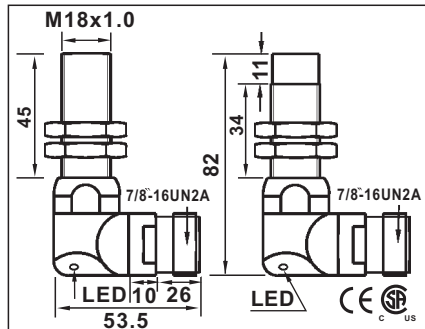


10-30VDC or 5-36VDC or 10-55VDC	
<10%	
<10mA	<20mA
200mA	
<0.01mA	
-	
-	
<1.5V or <1.0V or <2.0V	
1KHZ	500HZ
0.2ms/0.2ms	0.5ms/0.5ms
<15%(Sr)	
<1.0%(Sr)	
IP67	
-25 °C - +70 °C	
<10%(Sr)	
YES	
220mA	
<10ms	
RFI>3V/m / EFT>1KV / ESD>4KV (contact)	
IEC 60947-5-2,Part 7.4.1 / IEC 60947-5-2,Part 7.4.2	
PBT	

FCM1-1805N-AYU5	45	FCM2-1808N-AYU5
FCM1-1805N-BYU5	46	FCM2-1808N-BYU5
FCM1-1805P-AYU5	47	FCM2-1808P-AYU5
FCM1-1805P-BYU5	48	FCM2-1808P-BYU5
FCM1-1805P-SYU5	50	FCM2-1808P-SYU5
FCM1-1805N-SYU5	49	FCM2-1808N-SYU5
FCM1-1805C-AYU5	44	FCM2-1808C-AYU5
FCM1-1805C-BYU5	76	FCM2-1808C-BYU5
HCM1-1805N-AYU5	45	HCM2-1808N-AYU5
HCM1-1805N-BYU5	46	HCM2-1808N-BYU5
HCM1-1805P-AYU5	47	HCM2-1808P-AYU5
HCM1-1805P-BYU5	48	HCM2-1808P-BYU5
ICM1-1805N-AYU5	45	ICM2-1808N-AYU5
ICM1-1805N-BYU5	46	ICM2-1808N-BYU5
ICM1-1805P-AYU5	47	ICM2-1808P-AYU5
ICM1-1805P-BYU5	48	ICM2-1808P-BYU5
ICM1-1805P-SYU5	50	ICM2-1808P-SYU5
ICM1-1805N-SYU5	49	ICM2-1808N-SYU5

FCM*.****-Z*** Z = 7/8-16UN2A R = M12x1	
Approx.159 g	Approx.155 g

M 18	
●	○
5 mm	8 mm
stainless steel or nickel plated brass	
●	

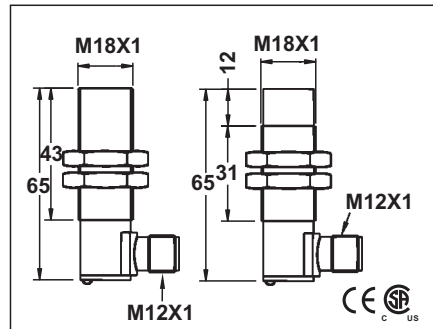


10-30VDC or 5-36VDC or 10-55VDC	
<10%	
<10mA	<20mA
200mA	
<0.01mA	
-	
-	
<1.5V or <1.0V or <2.0V	
1KHZ	500HZ
0.2ms/0.2ms	0.5ms/0.5ms
<15%(Sr)	
<1.0%(Sr)	
IP67	
-25 °C - +70 °C	
<10%(Sr)	
YES	
220mA	
<10ms	
RFI>3V/m / EFT>1KV / ESD>4KV (contact)	
IEC 60947-5-2,Part 7.4.1 / IEC 60947-5-2,Part 7.4.2	
PBT	

FCM1-1805N-AZU4Y	29	FCM2-1808N-AZU4Y
FCM1-1805N-BZU4Y	30	FCM2-1808N-BZU4Y
FCM1-1805P-AZU4Y	31	FCM2-1808P-AZU4Y
FCM1-1805P-BZU4Y	32	FCM2-1808P-BZU4Y
FCM1-1805P-SZU4Y	34	FCM2-1808P-SZU4Y
FCM1-1805N-SZU4Y	33	FCM2-1808N-SZU4Y
FCM1-1805C-AZU4Y	36	FCM2-1808C-AZU4Y
FCM1-1805C-BZU4Y	74	FCM2-1808C-BZU4Y
HCM1-1805N-AZU4Y	29	HCM2-1808N-AZU4Y
HCM1-1805N-BZU4Y	30	HCM2-1808N-BZU4Y
HCM1-1805P-AZU4Y	31	HCM2-1808P-AZU4Y
HCM1-1805P-BZU4Y	32	HCM2-1808P-BZU4Y
ICM1-1805N-AZU4Y	29	ICM2-1808N-AZU4Y
ICM1-1805N-BZU4Y	30	ICM2-1808N-BZU4Y
ICM1-1805P-AZU4Y	31	ICM2-1808P-AZU4Y
ICM1-1805P-BZU4Y	32	ICM2-1808P-BZU4Y
ICM1-1805P-SZU4Y	34	ICM2-1808P-SZU4Y
ICM1-1805N-SZU4Y	33	ICM2-1808N-SZU4Y

FCM*.****-Z*** Z = 7/8-16UN2A R = M12x1	
Approx.251 g	Approx.283 g

M 18	
●	○
5 mm	8 mm
stainless steel or nickel plated brass	
●	



10-30VDC or 5-36VDC or 10-55VDC	
<10%	
<10mA	<20mA
200mA	
<0.01mA	
-	
-	
<1.5V or <1.0V or <2.0V	
1KHZ	500HZ
0.2ms/0.2ms	0.5ms/0.5ms
<15%(Sr)	
<1.0%(Sr)	
IP67	
-25 °C - +70 °C	
<10%(Sr)	
YES	
220mA	
<10ms	
RFI>3V/m / EFT>1KV / ESD>4KV (contact)	
IEC 60947-5-2,Part 7.4.1 / IEC 60947-5-2,Part 7.4.2	
PBT	

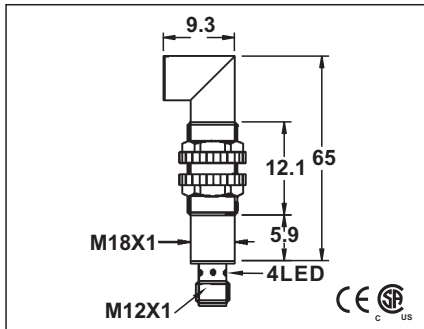
FCM1-1805N-ARU4Y	29	FCM2-1808N-ARU4Y
FCM1-1805N-BRU4Y	30	FCM2-1808N-BRU4Y
FCM1-1805P-ARU4Y	31	FCM2-1808P-ARU4Y
FCM1-1805P-BRU4Y	32	FCM2-1808P-BRU4Y
FCM1-1805P-SRU4Y	34	FCM2-1808P-SRU4Y
FCM1-1805N-SRU4Y	33	FCM2-1808N-SRU4Y
FCM1-1805C-ARU4Y	36	FCM2-1808C-ARU4Y
FCM1-1805C-BRU4Y	74	FCM2-1808C-BRU4Y
HCM1-1805N-ARU4Y	29	HCM2-1808N-ARU4Y
HCM1-1805N-BRU4Y	30	HCM2-1808N-BRU4Y
HCM1-1805P-ARU4Y	31	HCM2-1808P-ARU4Y
HCM1-1805P-BRU4Y	32	HCM2-1808P-BRU4Y
ICM1-1805N-ARU4Y	29	ICM2-1808N-ARU4Y
ICM1-1805N-BRU4Y	30	ICM2-1808N-BRU4Y
ICM1-1805P-ARU4Y	31	ICM2-1808P-ARU4Y
ICM1-1805P-BRU4Y	32	ICM2-1808P-BRU4Y
ICM1-1805P-SRU4Y	34	ICM2-1808P-SRU4Y
ICM1-1805N-SRU4Y	33	ICM2-1808N-SRU4Y

FCM*.****-Z*** Z = 7/8-16UN2A R = M12x1	
Approx.94 g	Approx.91 g

- DC 2 wire type see page 17.
- voltage drop:<1.5V(10-30V),<1V(5-36V), <2V(10-55V).
- 10-55V type: no load current < 20mA.

DC INDUCTIVE PROXIMITY SWITCH CONNECTOR TYPE

M 18	
●	○
5 mm	8 mm
stainless steel or nickel plated brass	

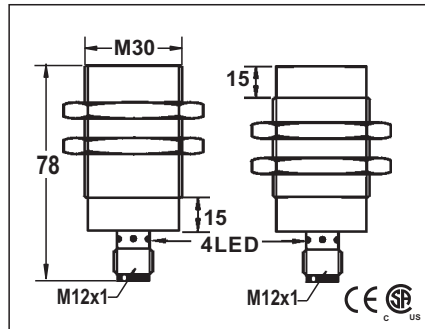


10-30VDC or 5-36VDC or 10-55VDC	
<10%	
<10mA	<20mA
200mA	
<0.01mA	
-	
-	
<1.5V or <1.0V or <2.0V	
1KHZ	500HZ
0.2ms/0.2ms	0.5ms/0.5ms
<15%(Sr)	
<1.0%(Sr)	
IP67	
-25°C - +70°C	
<10%(Sr)	
YES	
220mA	
<10ms	
RFI>3V/m / EFT>1KV / ESD>4KV (contact)	
IEC 60947-5-2,Part 7.4.1 / IEC 60947-5-2,Part 7.4.2	
PBT	

FCM1-1805N-ARU4Z	29	FCM2-1808N-ARU4Z
FCM1-1805N-BRU4Z	30	FCM2-1808N-BRU4Z
FCM1-1805P-ARU4Z	31	FCM2-1808P-ARU4Z
FCM1-1805P-BRU4Z	32	FCM2-1808P-BRU4Z
FCM1-1805P-SRU4Z	34	FCM2-1808P-SRU4Z
FCM1-1805N-SRU4Z	33	FCM2-1808N-SRU4Z
FCM1-1805C-ARU4Z	36	FCM2-1808C-ARU4Z
FCM1-1805C-BRU4Z	74	FCM2-1808C-BRU4Z
HCM1-1805N-ARU4Z	29	HCM2-1808N-ARU4Z
HCM1-1805N-BRU4Z	30	HCM2-1808N-BRU4Z
HCM1-1805P-ARU4Z	31	HCM2-1808P-ARU4Z
HCM1-1805P-BRU4Z	32	HCM2-1808P-BRU4Z
ICM1-1805N-ARU4Z	29	ICM2-1808N-ARU4Z
ICM1-1805N-BRU4Z	30	ICM2-1808N-BRU4Z
ICM1-1805P-ARU4Z	31	ICM2-1808P-ARU4Z
ICM1-1805P-BRU4Z	32	ICM2-1808P-BRU4Z
ICM1-1805P-SRU4Z	34	ICM2-1808P-SRU4Z
ICM1-1805N-SRU4Z	33	ICM2-1808N-SRU4Z

Approx.94 g	Approx.91 g
-------------	-------------

M 30	
●	○
10 mm	15 mm
stainless steel or nickel plated brass	

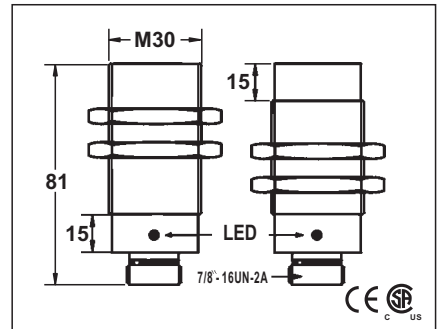


10-30VDC or 5-36VDC or 10-55VDC	
<10%	
<10mA	<20mA
200mA	
<0.01mA	
-	
-	
<1.5V or <1.0V or <2.0V	
300HZ	150HZ
0.5ms/0.5ms	1ms/1ms
<15%(Sr)	
<1.0%(Sr)	
IP67	
-25°C - +70°C	
<10%(Sr)	
YES	
220mA	
<10ms	
RFI>3V/m / EFT>1KV / ESD>4KV (contact)	
IEC 60947-5-2,Part 7.4.1 / IEC 60947-5-2,Part 7.4.2	
PBT	

FCM1-3010N-ARU4	29	FCM2-3015N-ARU4
FCM1-3010N-BRU4	30	FCM2-3015N-BRU4
FCM1-3010P-ARU4	31	FCM2-3015P-ARU4
FCM1-3010P-BRU4	32	FCM2-3015P-BRU4
FCM1-3010P-SRU4	34	FCM2-3015P-SRU4
FCM1-3010N-SRU4	33	FCM2-3015N-SRU4
FCM1-3010C-ARU4	36	FCM2-3015C-ARU4
FCM1-3010C-BRU4	74	FCM2-3015C-BRU4
HCM1-3010N-ARU4	29	HCM2-3015N-ARU4
HCM1-3010N-BRU4	30	HCM2-3015N-BRU4
HCM1-3010P-ARU4	31	HCM2-3015P-ARU4
HCM1-3010P-BRU4	32	HCM2-3015P-BRU4
ICM1-3010N-ARU4	29	ICM2-3015N-ARU4
ICM1-3010N-BRU4	30	ICM2-3015N-BRU4
ICM1-3010P-ARU4	31	ICM2-3015P-ARU4
ICM1-3010P-BRU4	32	ICM2-3015P-BRU4
ICM1-3010P-SRU4	34	ICM2-3015P-SRU4
ICM1-3010N-SRU4	33	ICM2-3015N-SRU4

Approx.187 g	Approx.179 g
--------------	--------------

M 30	
●	○
10 mm	15 mm
stainless steel or nickel plated brass	



10-30VDC or 5-36VDC or 10-55VDC	
<10%	
<10mA	<20mA
200mA	
<0.01mA	
-	
-	
<1.5V or <1.0V or <2.0V	
0.5ms/0.5ms	1ms/1ms
300HZ	150HZ
<15%(Sr)	
<1.0%(Sr)	
IP67	
-25°C - +70°C	
<10%(Sr)	
YES	
220mA	
<10ms	
RFI>3V/m / EFT>1KV / ESD>4KV (contact)	
IEC 60947-5-2,Part 7.4.1 / IEC 60947-5-2,Part 7.4.2	
PBT	

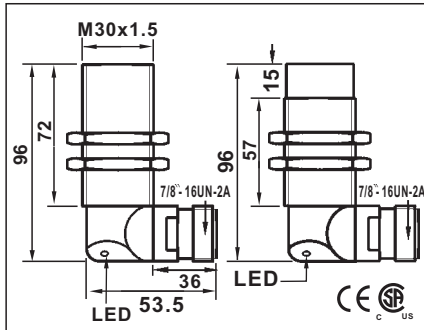
FCM1-3010N-AZU4	37	FCM2-3015N-AZU4
FCM1-3010N-BZU4	38	FCM2-3015N-BZU4
FCM1-3010P-AZU4	39	FCM2-3015P-AZU4
FCM1-3010P-BZU4	40	FCM2-3015P-BZU4
FCM1-3010P-SZU4	42	FCM2-3015P-SZU4
FCM1-3010N-SZU4	41	FCM2-3015N-SZU4
FCM1-3010C-AZU4	43	FCM2-3015C-AZU4
FCM1-3010C-BZU4	75	FCM2-3015C-BZU4
HCM1-3010N-AZU4	37	HCM2-3015N-AZU4
HCM1-3010N-BZU4	38	HCM2-3015N-BZU4
HCM1-3010P-AZU4	39	HCM2-3015P-AZU4
HCM1-3010P-BZU4	40	HCM2-3015P-BZU4
ICM1-3010N-AZU4	37	ICM2-3015N-AZU4
ICM1-3010N-BZU4	38	ICM2-3015N-BZU4
ICM1-3010P-AZU4	39	ICM2-3015P-AZU4
ICM1-3010P-BZU4	40	ICM2-3015P-BZU4
ICM1-3010P-SZU4	42	ICM2-3015P-SZU4
ICM1-3010N-SZU4	41	ICM2-3015N-SZU4

Approx.187 g	Approx.179 g
--------------	--------------

- DC 2 wire type see page 17.
- voltage drop:<1.5V(10-30V),<1V(5-36V), <2V(10-55V).
- 10-55V type: no load current < 20mA.

DC INDUCTIVE PROXIMITY SWITCH CONNECTOR TYPE

M 30	
●	○
10 mm	15 mm
stainless steel or nickel plated brass	
●	



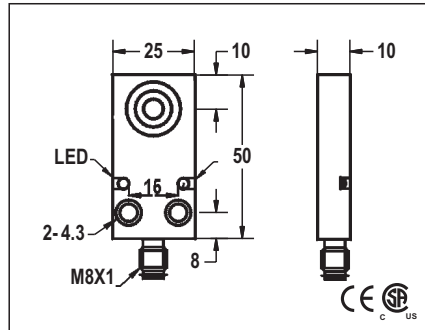
10-30VDC or 5-36VDC or 10-55VDC	
<10%	
<10mA	<20mA
200mA	
<0.01mA	
-	
-	
<1.5V or <1.0V or <2.0V	
0.5ms/0.5ms	1ms/1ms
300HZ	150HZ
<15%(Sr)	
<1.0%(Sr)	
IP67	
-25°C - +70°C	
<10%(Sr)	
YES	
220mA	
<10ms	
RFI>3V/m / EFT>1KV / ESD>4KV (contact)	
IEC 60947-5-2, Part 7.4.1 / IEC 60947-5-2, Part 7.4.2	
PBT	

FCM1-3010N-AZU4Y	37	FCM2-3015N-AZU4Y
FCM1-3010N-BZU4Y	38	FCM2-3015N-BZU4Y
FCM1-3010P-AZU4Y	39	FCM2-3015P-AZU4Y
FCM1-3010P-BZU4Y	40	FCM2-3015P-BZU4Y
FCM1-3010P-SZU4Y	42	FCM2-3015P-SZU4Y
FCM1-3010N-SZU4Y	41	FCM2-3015N-SZU4Y
FCM1-3010C-AZU4Y	43	FCM2-3015C-AZU4Y
FCM1-3010C-BZU4Y	75	FCM2-3015C-BZU4Y
HCM1-3010N-AZU4Y	37	HCM2-3015N-AZU4Y
HCM1-3010N-BZU4Y	38	HCM2-3015N-BZU4Y
HCM1-3010P-AZU4Y	39	HCM2-3015P-AZU4Y
HCM1-3010P-BZU4Y	40	HCM2-3015P-BZU4Y
HCM1-3010P-SZU4Y	42	HCM2-3015P-SZU4Y
ICM1-3010N-AZU4Y	37	ICM2-3015N-AZU4Y
ICM1-3010N-BZU4Y	38	ICM2-3015N-BZU4Y
ICM1-3010P-AZU4Y	39	ICM2-3015P-AZU4Y
ICM1-3010P-BZU4Y	40	ICM2-3015P-BZU4Y
ICM1-3010P-SZU4Y	42	ICM2-3015P-SZU4Y
ICM1-3010N-SZU4Y	41	ICM2-3015N-SZU4Y

FCM*-*****-Z**Y
 Z=7/8"-16UN2A
 R=M12X1

Approx.311 g	Approx.356 g
--------------	--------------

Q25x50x10	
●	
5 mm	
die-cast	
●	



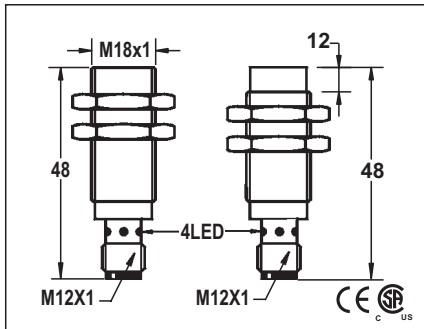
10-30VDC or 5-36VDC or 10-55VDC	
<10%	
<10mA	<20mA
200mA	
<0.01mA	
-	
-	
<1.5V or <1.0V or <2.0V	
1KHZ	
0.2ms/0.2ms	
<15%(Sr)	
<1.0%(Sr)	
IP67	
-25°C - +70°C	
<10%(Sr)	
YES	
220mA	
<10ms	
RFI>3V/m / EFT>1KV / ESD>4KV (contact)	
IEC 60947-5-2, Part 7.4.1 / IEC 60947-5-2, Part 7.4.2	
POM	

FQM1-2505N-ACU3	25
FQM1-2505N-BCU3	25
FQM1-2505P-ACU3	26
FQM1-2505P-BCU3	26
FQM1-2505P-SCU4	28
FQM1-2505N-SCU4	27
FQM1-2505C-ACU3	35
FQM1-2505C-BCU3	73
HQM1-2505N-ACU3	25
HQM1-2505N-BCU3	25
HQM1-2505P-ACU3	26
HQM1-2505P-BCU3	26
IQM1-2505N-ACU3	25
IQM1-2505N-BCU3	25
IQM1-2505P-ACU3	26
IQM1-2505P-BCU3	26
IQM1-2505P-SCU4	28
IQM1-2505N-SCU4	27

Approx.61 g

DC INDUCTIVE SHORT FORM PROXIMITY SWITCH CONNECTOR TYPE

M 18	
●	○
5 mm	8 mm
stainless steel or nickel plated brass	
●	



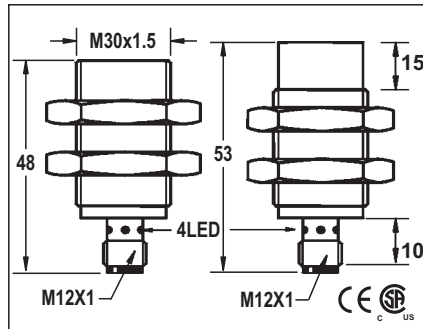
10-30VDC or 5-36VDC or 10-55VDC	
<10%	
<10mA	<20mA
200mA	
<0.01mA	
-	
<1.5V or <1.0V or <2.0V	
1KHZ	500HZ
0.2ms/0.2ms	0.5ms/0.5ms
<15%(Sr)	
<1.0%(Sr)	
IP67	
-25 °C - +70 °C	
<10%(Sr)	
YES	
220mA	
<10ms	
RFI>3V/m / EFT>1KV / ESD>4KV (contact)	
IEC 60947-5-2,Part 7.4.1 / IEC 60947-5-2,Part 7.4.2	
PBT	

FCM1-1805N-ARS4	29	FCM2-1808N-ARS4	
FCM1-1805N-BRS4	30	FCM2-1808N-BRS4	
FCM1-1805P-ARS4	31	FCM2-1808P-ARS4	
FCM1-1805P-BRS4	32	FCM2-1808P-BRS4	
FCM1-1805P-SRS4	34	FCM2-1808P-SRS4	
FCM1-1805N-SRS4	33	FCM2-1808N-SRS4	
FCM1-1805C-ARS4	36	FCM2-1808C-ARS4	
FCM1-1805C-BRS4	74	FCM2-1808C-BRS4	
HCM1-1805N-ARS4	29	HCM2-1808N-ARS4	
HCM1-1805N-BRS4	30	HCM2-1808N-BRS4	
HCM1-1805P-ARS4	31	HCM2-1808P-ARS4	
HCM1-1805P-BRS4	32	HCM2-1808P-BRS4	
ICM1-1805N-ARS4	29	ICM2-1808N-ARS4	
ICM1-1805N-BRS4	30	ICM2-1808N-BRS4	
ICM1-1805P-ARS4	31	ICM2-1808P-ARS4	
ICM1-1805P-BRS4	32	ICM2-1808P-BRS4	
ICM1-1805P-SRS4	34	ICM2-1808P-SRS4	
ICM1-1805N-SRS4	33	ICM2-1808N-SRS4	

- DC 2 wire type see page 17.
- voltage drop:<1.5V(10-30V),<1V(5-36V), <2V(10-55V).
- 10-55V type: no load current < 20mA.

Approx.50 g

M 30	
●	○
10 mm	15 mm
stainless steel or nickel plated brass	
●	



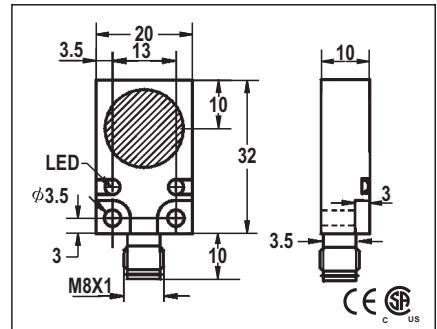
10-30VDC or 5-36VDC or 10-55VDC	
<10%	
<10mA	<20mA
200mA	
<0.01mA	
-	
<1.5V or <1.0V or <2.0V	
300HZ	150HZ
0.5ms/0.5ms	1ms/1ms
<15%(Sr)	
<1.0%(Sr)	
IP67	
-25 °C - +70 °C	
<10%(Sr)	
YES	
220mA	
<10ms	
RFI>3V/m / EFT>1KV / ESD>4KV (contact)	
IEC 60947-5-2,Part 7.4.1 / IEC 60947-5-2,Part 7.4.2	
PBT	

FCM1-3010N-ARS4	29	FCM2-3015N-ARS4	
FCM1-3010N-BRS4	30	FCM2-3015N-BRS4	
FCM1-3010P-ARS4	31	FCM2-3015P-ARS4	
FCM1-3010P-BRS4	32	FCM2-3015P-BRS4	
FCM1-3010P-SRS4	34	FCM2-3015P-SRS4	
FCM1-3010N-SRS4	33	FCM2-3015N-SRS4	
FCM1-3010C-ARS4	36	FCM2-3015C-ARS4	
FCM1-3010C-BRS4	74	FCM2-3015C-BRS4	
HCM1-3010N-ARS4	29	HCM2-3015N-ARS4	
HCM1-3010N-BRS4	30	HCM2-3015N-BRS4	
HCM1-3010P-ARS4	31	HCM2-3015P-ARS4	
HCM1-3010P-BRS4	32	HCM2-3015P-BRS4	
ICM1-3010N-ARS4	29	ICM2-3015N-ARS4	
ICM1-3010N-BRS4	30	ICM2-3015N-BRS4	
ICM1-3010P-ARS4	31	ICM2-3015P-ARS4	
ICM1-3010P-BRS4	32	ICM2-3015P-BRS4	
ICM1-3010P-SRS4	34	ICM2-3015P-SRS4	
ICM1-3010N-SRS4	33	ICM2-3015N-SRS4	

Approx.111 g

Approx.121 g

20X32X10	
●	○
15 mm	20 mm
die-cast	
●	



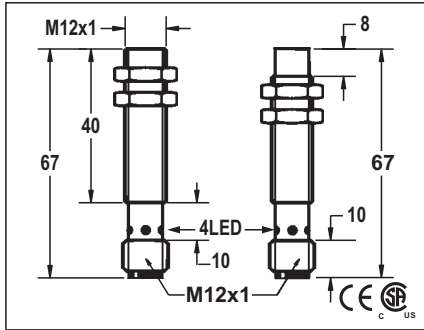
10-30VDC or 5-36VDC or 10-55VDC	
<10%	
<10mA	<20mA
200mA	
<0.01mA	
-	
<1.5V or <1.0V or <2.0V	
1KHZ	
0.2ms/0.2ms	
<15%(Sr)	
<1.0%(Sr)	
IP67	
-25 °C - +70 °C	
<10%(Sr)	
YES	
220mA	
<10ms	
RFI>3V/m / EFT>1KV / ESD>4KV (contact)	
IEC 60947-5-2,Part 7.4.1 / IEC 60947-5-2,Part 7.4.2	
PBT	

FQM1-2005N-ACU3	25
FQM1-2005N-BCU3	25
FQM1-2005P-ACU3	26
FQM1-2005P-BCU3	26
FQM1-2005P-SCU4	28
FQM1-2005N-SCU4	27
FQM1-2005C-ACU3	35
FQM1-2005C-BCU3	73
HQM1-2005N-ACU3	25
HQM1-2005N-BCU3	25
HQM1-2005P-ACU3	26
HQM1-2005P-BCU3	26
IQM1-2005N-ACU3	25
IQM1-2005N-BCU3	25
IQM1-2005P-ACU3	26
IQM1-2005P-BCU3	26
IQM1-2005P-SCU4	28
IQM1-2005N-SCU4	27

Approx.55 g

DC INDUCTIVE PLASTIC HOUSING CONNECTOR TYPE

M 12	
●	○
2 mm	4 mm
PBT RESIN	
●	



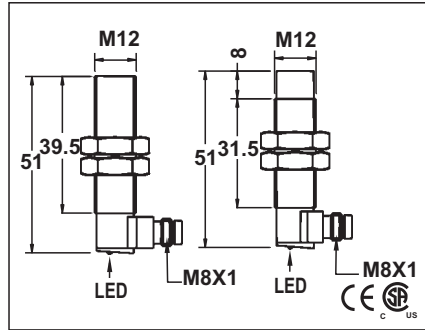
10-30VDC or 5-36VDC or 10-55VDC	
<10%	
<10mA	<20mA
200mA	
<0.01mA	
-	
<1.5V or <1.0V or <2.0V	
2KHZ	1KHZ
0.1ms/0.1ms	0.2ms/0.2ms
<15%(Sr)	
<1.0%(Sr)	
IP67	
-25 °C - +70 °C	
<10%(Sr)	
YES	
220mA	
<10ms	
RFI>3V/m / EFT>1KV / ESD>4KV (contact)	
IEC 60947-5-2,Part 7.4.1 / IEC 60947-5-2,Part 7.4.2	
POM	PBT

FCP1-1202N-ARU4	29	FCP2-1204N-ARU4
FCP1-1202N-BRU4	30	FCP2-1204N-BRU4
FCP1-1202P-ARU4	31	FCP2-1204P-ARU4
FCP1-1202P-BRU4	32	FCP2-1204P-BRU4
FCP1-1202P-SRU4	34	FCP2-1204P-SRU4
FCP1-1202N-SRU4	33	FCP2-1204N-SRU4
FCP1-1202C-ARU4	36	FCP2-1204C-ARU4
FCP1-1202C-BRU4	74	FCP2-1204C-BRU4
HCP1-1202N-ARU4	29	HCP2-1204N-ARU4
HCP1-1202N-BRU4	30	HCP2-1204N-BRU4
HCP1-1202P-ARU4	31	HCP2-1204P-ARU4
HCP1-1202P-BRU4	32	HCP2-1204P-BRU4
ICP1-1202N-ARU4	29	ICP2-1204N-ARU4
ICP1-1202N-BRU4	30	ICP2-1204N-BRU4
ICP1-1202P-ARU4	31	ICP2-1204P-ARU4
ICP1-1202P-BRU4	32	ICP2-1204P-BRU4
ICP1-1202P-SRU4	34	ICP2-1204P-SRU4
ICP1-1202N-SRU4	33	ICP2-1204N-SRU4

- DC 2 wire type see page 17.
- voltage drop:<1.5V(10-30V),<1V(5-36V), <2V(10-55V).
- 10-55V type: no load current < 20mA.

Approx.14 g

M 12	
●	○
2 mm	4 mm
PBT RESIN	
●	



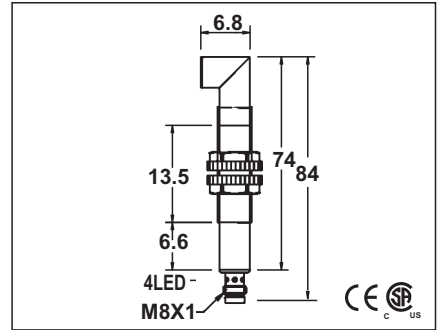
10-30VDC or 5-36VDC or 10-55VDC	
<10%	
<10mA	<20mA
200mA	
<0.01mA	
-	
<1.5V or <1.0V or <2.0V	
2KHZ	1KHZ
0.1ms/0.1ms	0.2ms/0.2ms
<15%(Sr)	
<1.0%(Sr)	
IP67	
-25 °C - +70 °C	
<10%(Sr)	
YES	
220mA	
<10ms	
RFI>3V/m / EFT>1KV / ESD>4KV (contact)	
IEC 60947-5-2,Part 7.4.1 / IEC 60947-5-2,Part 7.4.2	
POM	PBT

FCP1-1202N-ACU3Y	29	FCP2-1204N-ACU3Y
FCP1-1202N-BCU3Y	30	FCP2-1204N-BCU3Y
FCP1-1202P-ACU3Y	31	FCP2-1204P-ACU3Y
FCP1-1202P-BCU3Y	32	FCP2-1204P-BCU3Y
FCP1-1202P-SCU4Y	34	FCP2-1204P-SCU4Y
FCP1-1202N-SCU4Y	33	FCP2-1204N-SCU4Y
FCP1-1202C-ACU3Y	36	FCP2-1204C-ACU3Y
FCP1-1202C-BCU3Y	74	FCP2-1204C-BCU3Y
HCP1-1202N-ACU3Y	29	HCP2-1204N-ACU3Y
HCP1-1202N-BCU3Y	30	HCP2-1204N-BCU3Y
HCP1-1202P-ACU3Y	31	HCP2-1204P-ACU3Y
HCP1-1202P-BCU3Y	32	HCP2-1204P-BCU3Y
ICP1-1202N-ACU3Y	29	ICP2-1204N-ACU3Y
ICP1-1202N-BCU3Y	30	ICP2-1204N-BCU3Y
ICP1-1202P-ACU3Y	31	ICP2-1204P-ACU3Y
ICP1-1202P-BCU3Y	32	ICP2-1204P-BCU3Y
ICP1-1202P-SCU4Y	34	ICP2-1204P-SCU4Y
ICP1-1202N-SCU4Y	33	ICP2-1204N-SCU4Y

- DC 2 wire type see page 17.
- voltage drop:<1.5V(10-30V),<1V(5-36V), <2V(10-55V).
- 10-55V type: no load current < 20mA.

Approx.14 g

M 12	
●	○
2 mm	4 mm
PBT RESIN	
●	



10-30VDC or 5-36VDC or 10-55VDC	
<10%	
<10mA	<20mA
200mA	
<0.01mA	
-	
<1.5V or <1.0V or <2.0V	
2KHZ	1KHZ
0.1ms/0.1ms	0.2ms/0.2ms
<15%(Sr)	
<1.0%(Sr)	
IP67	
-25 °C - +70 °C	
<10%(Sr)	
YES	
220mA	
<10ms	
RFI>3V/m / EFT>1KV / ESD>4KV (contact)	
IEC 60947-5-2,Part 7.4.1 / IEC 60947-5-2,Part 7.4.2	
POM	PBT

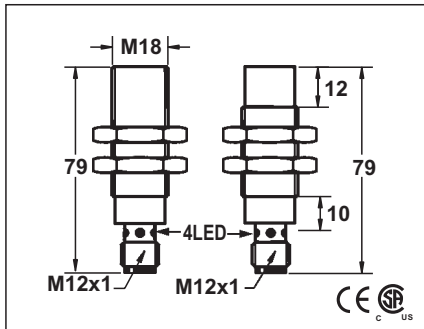
FCP1-1202N-ACU3Z	29	FCP2-1204N-ACU3Z
FCP1-1202N-BCU3Z	30	FCP2-1204N-BCU3Z
FCP1-1202P-ACU3Z	31	FCP2-1204P-ACU3Z
FCP1-1202P-BCU3Z	32	FCP2-1204P-BCU3Z
FCP1-1202P-SCU4Z	34	FCP2-1204P-SCU4Z
FCP1-1202N-SCU4Z	33	FCP2-1204N-SCU4Z
FCP1-1202C-ACU3Z	36	FCP2-1204C-ACU3Z
FCP1-1202C-BCU3Z	74	FCP2-1204C-BCU3Z
HCP1-1202N-ACU3Z	29	HCP2-1204N-ACU3Z
HCP1-1202N-BCU3Z	30	HCP2-1204N-BCU3Z
HCP1-1202P-ACU3Z	31	HCP2-1204P-ACU3Z
HCP1-1202P-BCU3Z	32	HCP2-1204P-BCU3Z
ICP1-1202N-ACU3Z	29	ICP2-1204N-ACU3Z
ICP1-1202N-BCU3Z	30	ICP2-1204N-BCU3Z
ICP1-1202P-ACU3Z	31	ICP2-1204P-ACU3Z
ICP1-1202P-BCU3Z	32	ICP2-1204P-BCU3Z
ICP1-1202P-SCU4Z	34	ICP2-1204P-SCU4Z
ICP1-1202N-SCU4Z	33	ICP2-1204N-SCU4Z

- DC 2 wire type see page 17.
- voltage drop:<1.5V(10-30V),<1V(5-36V), <2V(10-55V).
- 10-55V type: no load current < 20mA.

Approx.14 g

DC INDUCTIVE PLASTIC HOUSING CONNECTOR TYPE

M 18	
●	○
5 mm	8 mm
PBT RESIN	
●	



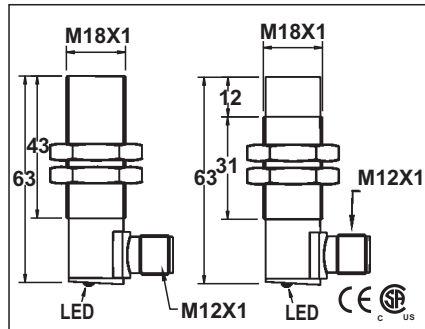
10-30VDC or 5-36VDC or 10-55VDC	
<10%	
<10mA	<20mA
200mA	
<0.01mA	
-	
<1.5V or <1.0V or <2.0V	
1KHZ	500HZ
0.2ms/0.2ms	0.5ms/0.5ms
<15%	
<1.0%(Sr)	
IP67	
-25°C - +70°C	
<10%(Sr)	
YES	
220mA	
<10ms	
RFI>3V/m / EFT>1KV / ESD>4KV (contact)	
IEC 60947-5-2, Part 7.4.1 / IEC 60947-5-2, Part 7.4.2	
PBT	

FCP1-1805N-ARU4	29	FCP2-1808N-ARU4
FCP1-1805N-BRU4	30	FCP2-1808N-BRU4
FCP1-1805P-ARU4	31	FCP2-1808P-ARU4
FCP1-1805P-BRU4	32	FCP2-1808P-BRU4
FCP1-1805P-SRU4	34	FCP2-1808P-SRU4
FCP1-1805N-SRU4	33	FCP2-1808N-SRU4
FCP1-1805C-ARU4	36	FCP2-1808C-ARU4
FCP1-1805C-BRU4	74	FCP2-1808C-BRU4
HCP1-1805N-ARU4	29	HCP2-1808N-ARU4
HCP1-1805N-BRU4	30	HCP2-1808N-BRU4
HCP1-1805P-ARU4	31	HCP2-1808P-ARU4
HCP1-1805P-BRU4	32	HCP2-1808P-BRU4
ICP1-1805N-ARU4	29	ICP2-1808N-ARU4
ICP1-1805N-BRU4	30	ICP2-1808N-BRU4
ICP1-1805P-ARU4	31	ICP2-1808P-ARU4
ICP1-1805P-BRU4	32	ICP2-1808P-BRU4
ICP1-1805P-SRU4	34	ICP2-1808P-SRU4
ICP1-1805N-SRU4	33	ICP2-1808N-SRU4

- DC 2 wire type see page 17.
- voltage drop:<1.5V(10-30V),<1V(5-36V), <2V(10-55V).
- 10-55V type: no load current < 20mA.

Approx.35 g

M 18	
●	○
5 mm	8 mm
PBT RESIN	
●	



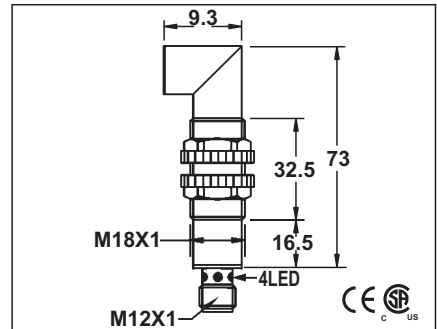
10-30VDC or 5-36VDC or 10-55VDC	
<10%	
<10mA	<20mA
200mA	
<0.01mA	
-	
<1.5V or <1.0V or <2.0V	
1KHZ	500HZ
0.2ms/0.2ms	0.5ms/0.5ms
<15%	
<1.0%(Sr)	
IP67	
-25°C - +70°C	
<10%(Sr)	
YES	
220mA	
<10ms	
RFI>3V/m / EFT>1KV / ESD>4KV (contact)	
IEC 60947-5-2, Part 7.4.1 / IEC 60947-5-2, Part 7.4.2	
PBT	

FCP1-1805N-ARU4Y	29	FCP2-1808N-ARU4Y
FCP1-1805N-BRU4Y	30	FCP2-1808N-BRU4Y
FCP1-1805P-ARU4Y	31	FCP2-1808P-ARU4Y
FCP1-1805P-BRU4Y	32	FCP2-1808P-BRU4Y
FCP1-1805P-SRU4Y	34	FCP2-1808P-SRU4Y
FCP1-1805N-SRU4Y	33	FCP2-1808N-SRU4Y
FCP1-1805C-ARU4Y	36	FCP2-1808C-ARU4Y
FCP1-1805C-BRU4Y	74	FCP2-1808C-BRU4Y
HCP1-1805N-ARU4Y	29	HCP2-1808N-ARU4Y
HCP1-1805N-BRU4Y	30	HCP2-1808N-BRU4Y
HCP1-1805P-ARU4Y	31	HCP2-1808P-ARU4Y
HCP1-1805P-BRU4Y	32	HCP2-1808P-BRU4Y
ICP1-1805N-ARU4Y	29	ICP2-1808N-ARU4Y
ICP1-1805N-BRU4Y	30	ICP2-1808N-BRU4Y
ICP1-1805P-ARU4Y	31	ICP2-1808P-ARU4Y
ICP1-1805P-BRU4Y	32	ICP2-1808P-BRU4Y
ICP1-1805P-SRU4Y	34	ICP2-1808P-SRU4Y
ICP1-1805N-SRU4Y	33	ICP2-1808N-SRU4Y

- DC 2 wire type see page 17.
- voltage drop:<1.5V(10-30V),<1V(5-36V), <2V(10-55V).
- 10-55V type: no load current < 20mA.

Approx.35 g

M 18	
●	○
5 mm	8 mm
PBT RESIN	
●	



10-30VDC or 5-36VDC or 10-55VDC	
<10%	
<10mA	<20mA
200mA	
<0.01mA	
-	
<1.5V or <1.0V or <2.0V	
1KHZ	500HZ
0.2ms/0.2ms	0.5ms/0.5ms
<15%	
<1.0%(Sr)	
IP67	
-25°C - +70°C	
<10%(Sr)	
YES	
220mA	
<10ms	
RFI>3V/m / EFT>1KV / ESD>4KV (contact)	
IEC 60947-5-2, Part 7.4.1 / IEC 60947-5-2, Part 7.4.2	
PBT	

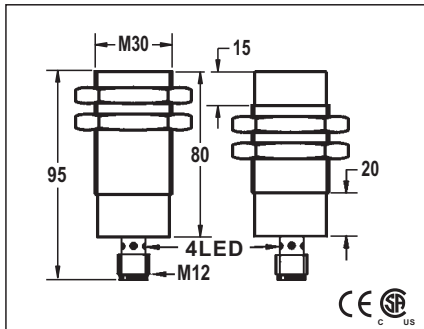
FCP1-1805N-ARU4Z	29	FCP2-1808N-ARU4Z
FCP1-1805N-BRU4Z	30	FCP2-1808N-BRU4Z
FCP1-1805P-ARU4Z	31	FCP2-1808P-ARU4Z
FCP1-1805P-BRU4Z	32	FCP2-1808P-BRU4Z
FCP1-1805P-SRU4Z	34	FCP2-1808P-SRU4Z
FCP1-1805N-SRU4Z	33	FCP2-1808N-SRU4Z
FCP1-1805C-ARU4Z	36	FCP2-1808C-ARU4Z
FCP1-1805C-BRU4Z	74	FCP2-1808C-BRU4Z
HCP1-1805N-ARU4Z	29	HCP2-1808N-ARU4Z
HCP1-1805N-BRU4Z	30	HCP2-1808N-BRU4Z
HCP1-1805P-ARU4Z	31	HCP2-1808P-ARU4Z
HCP1-1805P-BRU4Z	32	HCP2-1808P-BRU4Z
ICP1-1805N-ARU4Z	29	ICP2-1808N-ARU4Z
ICP1-1805N-BRU4Z	30	ICP2-1808N-BRU4Z
ICP1-1805P-ARU4Z	31	ICP2-1808P-ARU4Z
ICP1-1805P-BRU4Z	32	ICP2-1808P-BRU4Z
ICP1-1805P-SRU4Z	34	ICP2-1808P-SRU4Z
ICP1-1805N-SRU4Z	33	ICP2-1808N-SRU4Z

- DC 2 wire type see page 17.
- voltage drop:<1.5V(10-30V),<1V(5-36V), <2V(10-55V).
- 10-55V type: no load current < 20mA.

Approx.35 g

DC INDUCTIVE PLASTIC HOUSING CONNECTOR TYPE

M 30	
●	○
10 mm	15 mm
PBT RESIN	
●	



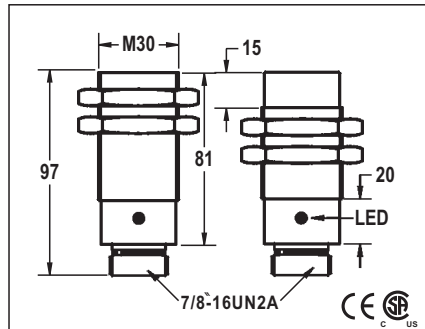
10-30VDC or 5-36VDC or 10-55VDC	
<10%	
<10mA	<20mA
200mA	
<0.01mA	
-	
<1.5V or <1.0V or <2.0V	
300HZ	150HZ
0.5ms/0.5ms	1ms/1ms
<15%(Sr)	
<1.0%(Sr)	
IP67	
-25 °C - +70 °C	
<10%(Sr)	
YES	
220mA	
<10ms	
RFI>3V/m / EFT>1KV / ESD>4KV (contact)	
IEC 60947-5-2, Part 7.4.1 / IEC 60947-5-2, Part 7.4.2	
PBT	

FCP1-3010N-ARU4	29	FCP2-3015N-ARU4
FCP1-3010N-BRU4	30	FCP2-3015N-BRU4
FCP1-3010P-ARU4	31	FCP2-3015P-ARU4
FCP1-3010P-BRU4	32	FCP2-3015P-BRU4
FCP1-3010P-SRU4	34	FCP2-3015P-SRU4
FCP1-3010N-SRU4	33	FCP2-3015N-SRU4
FCP1-3010C-ARU4	36	FCP2-3015C-ARU4
FCP1-3010C-BRU4	74	FCP2-3015C-BRU4
HCP1-3010N-ARU4	29	HCP2-3015N-ARU4
HCP1-3010N-BRU4	30	HCP2-3015N-BRU4
HCP1-3010P-ARU4	31	HCP2-3015P-ARU4
HCP1-3010P-BRU4	32	HCP2-3015P-BRU4
ICP1-3010N-ARU4	29	ICP2-3015N-ARU4
ICP1-3010N-BRU4	30	ICP2-3015N-BRU4
ICP1-3010P-ARU4	31	ICP2-3015P-ARU4
ICP1-3010P-BRU4	32	ICP2-3015P-BRU4
ICP1-3010P-SRU4	34	ICP2-3015P-SRU4
ICP1-3010N-SRU4	33	ICP2-3015N-SRU4

- DC 2 wire type see page 17.
- voltage drop:<1.5V(10-30V),<1V(5-36V), <2V(10-55V).
- 10-55V type: no load current < 20mA.

Approx.120 g

M 30	
●	○
10 mm	15 mm
PBT RESIN	
●	



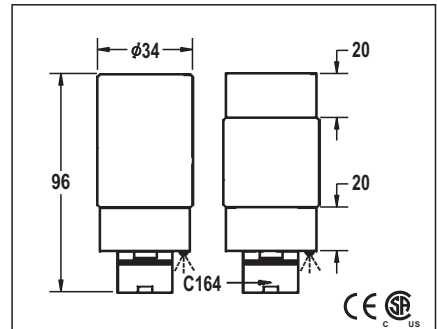
10-30VDC or 5-36VDC or 10-55VDC	
<10%	
<10mA	<20mA
200mA	
<0.01mA	
-	
<1.5V or <1.0V or <2.0V	
300HZ	150HZ
0.5ms/0.5ms	1ms/1ms
<15%(Sr)	
<1.0%(Sr)	
IP67	
-25 °C - +70 °C	
<10%(Sr)	
YES	
220mA	
<10ms	
RFI>3V/m / EFT>1KV / ESD>4KV (contact)	
IEC 60947-5-2, Part 7.4.1 / IEC 60947-5-2, Part 7.4.2	
PBT	

FCP1-3010N-AZU4	37	FCP2-3015N-AZU4
FCP1-3010N-BZU4	38	FCP2-3015N-BZU4
FCP1-3010P-AZU4	39	FCP2-3015P-AZU4
FCP1-3010P-BZU4	40	FCP2-3015P-BZU4
FCP1-3010P-SZU4	42	FCP2-3015P-SZU4
FCP1-3010N-SZU4	41	FCP2-3015N-SZU4
FCP1-3010C-AZU4	43	FCP2-3015C-AZU4
FCP1-3010C-BZU4	75	FCP2-3015C-BZU4
HCP1-3010N-AZU4	37	HCP2-3015N-AZU4
HCP1-3010N-BZU4	38	HCP2-3015N-BZU4
HCP1-3010P-AZU4	39	HCP2-3015P-AZU4
HCP1-3010P-BZU4	40	HCP2-3015P-BZU4
ICP1-3010N-AZU4	37	ICP2-3015N-AZU4
ICP1-3010N-BZU4	38	ICP2-3015N-BZU4
ICP1-3010P-AZU4	39	ICP2-3015P-AZU4
ICP1-3010P-BZU4	40	ICP2-3015P-BZU4
ICP1-3010P-SZU4	42	ICP2-3015P-SZU4
ICP1-3010N-SZU4	41	ICP2-3015N-SZU4

- DC 2 wire type see page 17.
- voltage drop:<1.5V(10-30V),<1V(5-36V), <2V(10-55V).
- 10-55V type: no load current < 20mA.

Approx.120 g

φ 34	
●	○
15 mm	20 mm
PBT RESIN	
●	



10-30VDC or 5-36VDC or 10-55VDC	
<10%	
<10mA	<20mA
200mA	
<0.01mA	
-	
<1.5V or <1.0V or <2.0V	
300HZ	150HZ
0.5ms/0.5ms	1ms/1ms
<15%(Sr)	
<1.0%(Sr)	
IP67	
-25 °C - +70 °C	
<10%(Sr)	
YES	
220mA	
<10ms	
RFI>3V/m / EFT>1KV / ESD>4KV (contact)	
IEC 60947-5-2, Part 7.4.1 / IEC 60947-5-2, Part 7.4.2	
PBT	

FCP1-D3415N-AYU5	45	FCP2-D3420N-AYU5
FCP1-D3415N-BYU5	46	FCP2-D3420N-BYU5
FCP1-D3415P-AYU5	47	FCP2-D3420P-AYU5
FCP1-D3415P-BYU5	48	FCP2-D3420P-BYU5
FCP1-D3415P-SYU5	50	FCP2-D3420P-SYU5
FCP1-D3415N-SYU5	49	FCP2-D3420N-SYU5
FCP1-D3415C-AYU5	44	FCP2-D3420C-AYU5
FCP1-D3415C-BYU5	76	FCP2-D3420C-BYU5
HCP1-D3415N-AYU5	45	HCP2-D3420N-AYU5
HCP1-D3415N-BYU5	46	HCP2-D3420N-BYU5
HCP1-D3415P-AYU5	47	HCP2-D3420P-AYU5
HCP1-D3415P-BYU5	48	HCP2-D3420P-BYU5
ICP1-D3415N-AYU5	45	ICP2-D3420N-AYU5
ICP1-D3415N-BYU5	46	ICP2-D3420N-BYU5
ICP1-D3415P-AYU5	47	ICP2-D3420P-AYU5
ICP1-D3415P-BYU5	48	ICP2-D3420P-BYU5
ICP1-D3415P-SYU5	50	ICP2-D3420P-SYU5
ICP1-D3415N-SYU5	49	ICP2-D3420N-SYU5

- DC 2 wire type see page 17.
- voltage drop:<1.5V(10-30V),<1V(5-36V), <2V(10-55V).
- 10-55V type: no load current < 20mA.

Approx.162 g