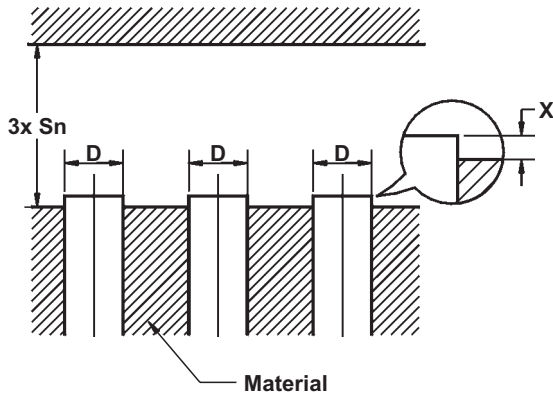


PROXIMITY SWITCHES, GENERAL — LONG DISTANCE PROXIMITY SWITCH

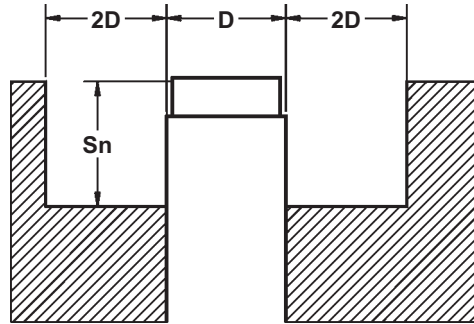
■ Hints On Correct Use About Long Distance Proximity Switch

MOUNTING

- Shielded mounting



- Non-shielded mounting



Steel	$X = 0.2 D$
Other metals	$X = 0.1 D$
Other materials	$X = 0$

SENSING TARGET

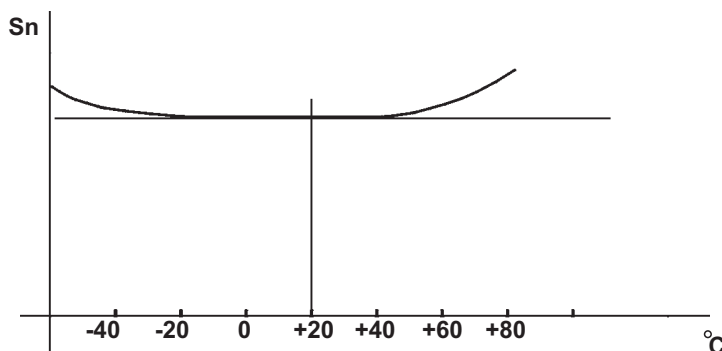
The plate is a square piece of sheet steel ref. 37, 1 mm thick.

The sides equal 3 times sensing distance of the switch, whichever is greater.

TEMPERATURE DRIFT OF S_n

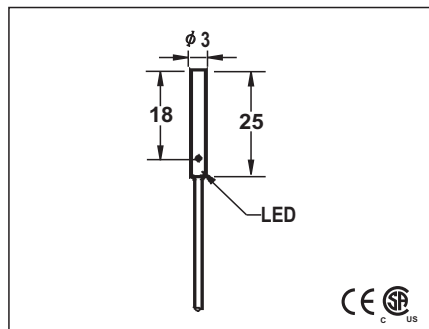
The switch distance is specified for an ambient temperature of 20 C. The following diagram gives the switching distance as a function of ambient temperature.

In the specified temperature range of -25°C To $+70^{\circ}\text{C}$, the switching distance varies no more than 10% compared to the value at 20°C .



DC MINIATURE LONG SENSING DISTANCE PROXIMITY SWITCH

ϕ3
●
1.0 mm
stainless steel
●

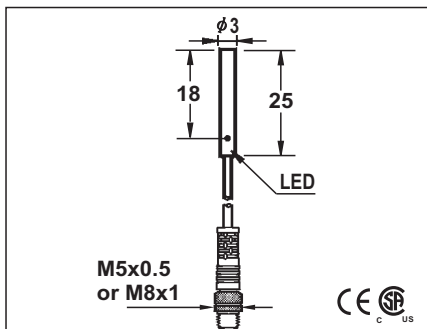


10-30VDC
<10%
<10mA
200mA
<0.01mA
-
-
<1.5V
3KHZ
0.1ms/0.1ms
<15%(Sr)
<2.0%(Sr)
IP67
-25°C - +70°C
<10%(Sr)
YES
220mA
<10ms
RFI>3V/m / EFT>1KV / ESD>4KV (contact)
IEC 60947-5-2, Part 7.4.1 / IEC 60947-5-2, Part 7.4.2
POM

LCU1-D0301N-A3S2	1
LCU1-D0301N-B3S2	2
LCU1-D0301P-A3S2	3
LCU1-D0301P-B3S2	4

2.3 ϕ3x0.15	
Approx.22 g	

ϕ3
●
1.0 mm
stainless steel
●

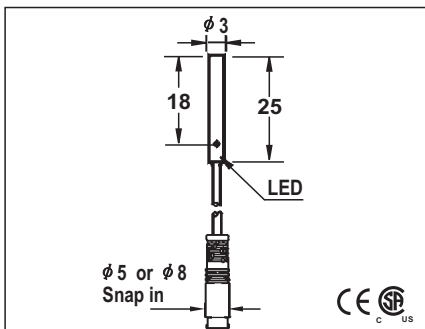


10-30VDC
<10%
<10mA
200mA
<0.01mA
-
-
<1.5V
2KHZ
0.1ms/0.1ms
<15%(Sr)
<2.0%(Sr)
IP67
-25°C - +70°C
<10%(Sr)
YES
220mA
<10ms
RFI>3V/m / EFT>1KV / ESD>4KV (contact)
IEC 60947-5-2, Part 7.4.1 / IEC 60947-5-2, Part 7.4.2
POM

LCU1-D0301N-A3S0.2/P5	29	LCU1-D0301N-A3S0.2/P8
LCU1-D0301N-B3S0.2/P5	30	LCU1-D0301N-B3S0.2/P8
LCU1-D0301P-A3S0.2/P5	31	LCU1-D0301P-A3S0.2/P8
LCU1-D0301P-B3S0.2/P5	32	LCU1-D0301P-B3S0.2/P8

FCU***P5	— M5 Pigtail mode
FCU***P8	— M8 Pigtail mode
2.3 ϕ3x0.15	
Approx.22 g	Approx.23 g

ϕ3
●
1.0 mm
stainless steel
●



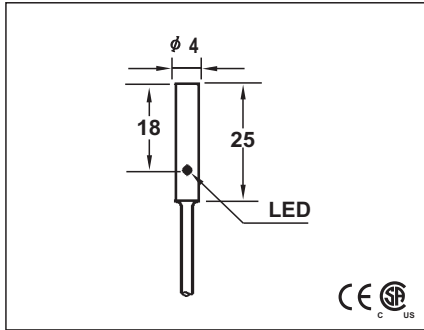
10-30VDC
<10%
<10mA
200mA
<0.01mA
-
-
<2.0V
2KHZ
0.1ms/0.1ms
<15%(Sr)
<2.0%(Sr)
IP67
-25°C - +70°C
<10%(Sr)
YES
220mA
<10ms
RFI>3V/m / EFT>1KV / ESD>4KV (contact)
IEC 60947-5-2, Part 7.4.1 / IEC 60947-5-2, Part 7.4.2
POM

LCU1-D0301N-A3S0.2/SN5	29	LCU1-D0301N-A3S0.2/SN8
LCU1-D0301N-B3S0.2/SN5	30	LCU1-D0301N-B3S0.2/SN8
LCU1-D0301P-A3S0.2/SN5	31	LCU1-D0301P-A3S0.2/SN8
LCU1-D0301P-B3S0.2/SN5	32	LCU1-D0301P-B3S0.2/SN8

FCU***SN5	— ϕ5 Pigtail mode
FCU***SN8	— ϕ8 Pigtail mode
2.3 ϕ3x0.15	
Approx.22 g	Approx.23 g

DC MINIATURE LONG SENSING DISTANCE PROXIMITY SWITCH

$\phi 4$
●
1.5 mm
stainless steel
●



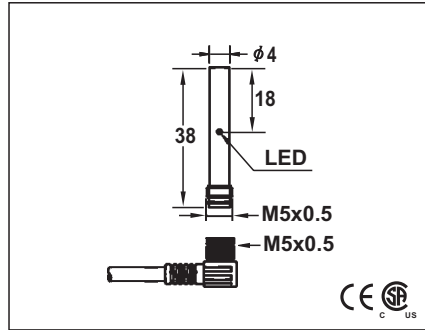
10-30VDC
<10%
<10mA
200mA
<0.01mA
-
-
<1.5V
2KHZ
0.1ms/0.1ms
<15%(Sr)
<2.0%(Sr)
IP67
-25°C - +70 °C
<10%(Sr)
YES
220mA
<10ms
RFI>3V/m / EFT>1KV / ESD>4KV (contact)
IEC 60947-5-2,Part 7.4.1 / IEC 60947-5-2,Part 7.4.2
POM

LCU1-D041.5N-A3U2	1
LCU1-D041.5N-B3U2	2
LCU1-D041.5P-A3U2	3
LCU1-D041.5P-B3U2	4



2.7 $\phi 3 \times 0.15$
Approx.22 g

$\phi 4$
●
1.5 mm
stainless steel
●



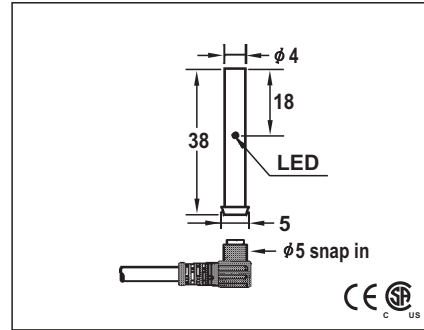
10-30VDC
<10%
<10mA
200mA
<0.01mA
-
-
<1.5V
2KHZ
0.1ms/0.1ms
<15%(Sr)
<2.0%(Sr)
IP67
-25°C - +70 °C
<10%(Sr)
YES
220mA
<10ms
RFI>3V/m / EFT>1KV / ESD>4KV (contact)
IEC 60947-5-2,Part 7.4.1 / IEC 60947-5-2,Part 7.4.2
POM

LCU1-D041.5N-AMS4	29
LCU1-D041.5N-BMS4	30
LCU1-D041.5P-AMS4	31
LCU1-D041.5P-BMS4	32



Approx.18 g

$\phi 4$
●
1.5 mm
stainless steel
●



10-30VDC
<10%
<10mA
200mA
<0.01mA
-
-
<2.0V
2KHZ
0.1ms/0.1ms
<15%(Sr)
<2.0%(Sr)
IP67
-25°C - +70 °C
<10%(Sr)
YES
220mA
<10ms
RFI>3V/m / EFT>1KV / ESD>4KV (contact)
IEC 60947-5-2,Part 7.4.1 / IEC 60947-5-2,Part 7.4.2
POM

LCU1-D041.5N-AMS4/SN	29
LCU1-D041.5N-BMS4/SN	30
LCU1-D041.5P-AMS4/SN	31
LCU1-D041.5P-BMS4/SN	32

$\phi 5$ Miniature snap in connector

Approx.18 g

∅4、M4

DC MINIATURE LONG SENSING DISTANCE PROXIMITY SWITCH

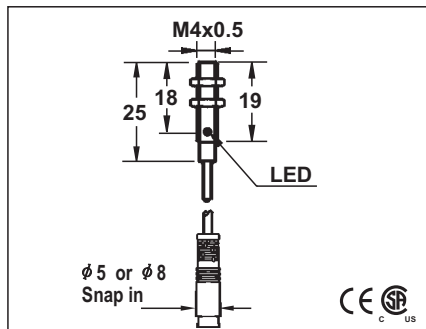
∅4																						
●																						
1.5 mm																						
stainless steel																						
●																						
<table border="1"> <tr><td>10-30VDC</td></tr> <tr><td><10%</td></tr> <tr><td><10mA</td></tr> <tr><td>200mA</td></tr> <tr><td><0.01mA</td></tr> <tr><td>-</td></tr> <tr><td>-</td></tr> <tr><td><1.5V</td></tr> <tr><td>2KHZ</td></tr> <tr><td>0.1ms/0.1ms</td></tr> <tr><td><15%(Sr)</td></tr> <tr><td><2.0%(Sr)</td></tr> <tr><td>IP67</td></tr> <tr><td>-25°C - +70 °C</td></tr> <tr><td><10%(Sr)</td></tr> <tr><td>YES</td></tr> <tr><td>220mA</td></tr> <tr><td><10ms</td></tr> <tr><td>RFI>3V/m / EFT>1KV / ESD>4KV (contact)</td></tr> <tr><td>IEC 60947-5-2, Part 7.4.1 / IEC 60947-5-2, Part 7.4.2</td></tr> <tr><td>POM</td></tr> </table>		10-30VDC	<10%	<10mA	200mA	<0.01mA	-	-	<1.5V	2KHZ	0.1ms/0.1ms	<15%(Sr)	<2.0%(Sr)	IP67	-25°C - +70 °C	<10%(Sr)	YES	220mA	<10ms	RFI>3V/m / EFT>1KV / ESD>4KV (contact)	IEC 60947-5-2, Part 7.4.1 / IEC 60947-5-2, Part 7.4.2	POM
10-30VDC																						
<10%																						
<10mA																						
200mA																						
<0.01mA																						
-																						
-																						
<1.5V																						
2KHZ																						
0.1ms/0.1ms																						
<15%(Sr)																						
<2.0%(Sr)																						
IP67																						
-25°C - +70 °C																						
<10%(Sr)																						
YES																						
220mA																						
<10ms																						
RFI>3V/m / EFT>1KV / ESD>4KV (contact)																						
IEC 60947-5-2, Part 7.4.1 / IEC 60947-5-2, Part 7.4.2																						
POM																						
LCU1-D041.5N-ACU3	25																					
LCU1-D041.5N-BCU3	25																					
LCU1-D041.5P-ACU3	26																					
LCU1-D041.5P-BCU3	26																					
Approx.22 g																						

M4																						
●																						
1.0 mm																						
stainless steel																						
●																						
<table border="1"> <tr><td>10-30VDC</td></tr> <tr><td><10%</td></tr> <tr><td><10mA</td></tr> <tr><td>200mA</td></tr> <tr><td><0.01mA</td></tr> <tr><td>-</td></tr> <tr><td>-</td></tr> <tr><td><1.5V</td></tr> <tr><td>2KHZ</td></tr> <tr><td>0.1ms/0.1ms</td></tr> <tr><td><15%(Sr)</td></tr> <tr><td><2.0%(Sr)</td></tr> <tr><td>IP67</td></tr> <tr><td>-25°C - +70 °C</td></tr> <tr><td><10%(Sr)</td></tr> <tr><td>YES</td></tr> <tr><td>220mA</td></tr> <tr><td><10ms</td></tr> <tr><td>RFI>3V/m / EFT>1KV / ESD>4KV (contact)</td></tr> <tr><td>IEC 60947-5-2, Part 7.4.1 / IEC 60947-5-2, Part 7.4.2</td></tr> <tr><td>POM</td></tr> </table>		10-30VDC	<10%	<10mA	200mA	<0.01mA	-	-	<1.5V	2KHZ	0.1ms/0.1ms	<15%(Sr)	<2.0%(Sr)	IP67	-25°C - +70 °C	<10%(Sr)	YES	220mA	<10ms	RFI>3V/m / EFT>1KV / ESD>4KV (contact)	IEC 60947-5-2, Part 7.4.1 / IEC 60947-5-2, Part 7.4.2	POM
10-30VDC																						
<10%																						
<10mA																						
200mA																						
<0.01mA																						
-																						
-																						
<1.5V																						
2KHZ																						
0.1ms/0.1ms																						
<15%(Sr)																						
<2.0%(Sr)																						
IP67																						
-25°C - +70 °C																						
<10%(Sr)																						
YES																						
220mA																						
<10ms																						
RFI>3V/m / EFT>1KV / ESD>4KV (contact)																						
IEC 60947-5-2, Part 7.4.1 / IEC 60947-5-2, Part 7.4.2																						
POM																						
LCU1-0401N-A3S2	1																					
LCU1-0401N-B3S2	2																					
LCU1-0401P-A3S2	3																					
LCU1-0401P-B3S2	4																					
2.3 ∅3x0.15																						
Approx.22 g																						

M4																						
●																						
1.0 mm																						
stainless steel																						
●																						
<table border="1"> <tr><td>10-30VDC</td></tr> <tr><td><10%</td></tr> <tr><td><10mA</td></tr> <tr><td>200mA</td></tr> <tr><td><0.01mA</td></tr> <tr><td>-</td></tr> <tr><td>-</td></tr> <tr><td><1.5V</td></tr> <tr><td>2KHZ</td></tr> <tr><td>0.1ms/0.1ms</td></tr> <tr><td><15%(Sr)</td></tr> <tr><td><2.0%(Sr)</td></tr> <tr><td>IP67</td></tr> <tr><td>-25°C - +70 °C</td></tr> <tr><td><10%(Sr)</td></tr> <tr><td>YES</td></tr> <tr><td>220mA</td></tr> <tr><td><10ms</td></tr> <tr><td>RFI>3V/m / EFT>1KV / ESD>4KV (contact)</td></tr> <tr><td>IEC 60947-5-2, Part 7.4.1 / IEC 60947-5-2, Part 7.4.2</td></tr> <tr><td>POM</td></tr> </table>		10-30VDC	<10%	<10mA	200mA	<0.01mA	-	-	<1.5V	2KHZ	0.1ms/0.1ms	<15%(Sr)	<2.0%(Sr)	IP67	-25°C - +70 °C	<10%(Sr)	YES	220mA	<10ms	RFI>3V/m / EFT>1KV / ESD>4KV (contact)	IEC 60947-5-2, Part 7.4.1 / IEC 60947-5-2, Part 7.4.2	POM
10-30VDC																						
<10%																						
<10mA																						
200mA																						
<0.01mA																						
-																						
-																						
<1.5V																						
2KHZ																						
0.1ms/0.1ms																						
<15%(Sr)																						
<2.0%(Sr)																						
IP67																						
-25°C - +70 °C																						
<10%(Sr)																						
YES																						
220mA																						
<10ms																						
RFI>3V/m / EFT>1KV / ESD>4KV (contact)																						
IEC 60947-5-2, Part 7.4.1 / IEC 60947-5-2, Part 7.4.2																						
POM																						
LCU1-0401N-A3S0.2/P5	29																					
LCU1-0401N-B3S0.2/P5	30																					
LCU1-0401P-A3S0.2/P5	31																					
LCU1-0401P-B3S0.2/P5	32																					
FCU***/P5 <input type="checkbox"/> M5 Pigtail mode FCU***/P8 <input type="checkbox"/> M8 Pigtail mode																						
2.3 ∅3x0.15																						
Approx.30 g																						

DC MINIATURE LONG SENSING DISTANCE PROXIMITY SWITCH

M4
●
1.0 mm
stainless steel
●



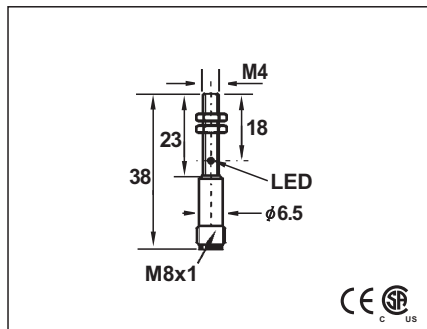
10-30VDC
<10%
<10mA
200mA
<0.01mA
-
-
<2.0V
2KHZ
0.1ms/0.1ms
<15%(Sr)
<2.0%(Sr)
IP67
-25°C - +70°C
<10%(Sr)
YES
220mA
<10ms
RFI>3V/m / EFT>1KV / ESD>4KV (contact)
IEC 60947-5-2, Part 7.4.1 / IEC 60947-5-2, Part 7.4.2
POM

LCU1-0401N-A3S0.2/SN5	29	LCU1-0401N-A3S0.2/SN8
LCU1-0401N-B3S0.2/SN5	30	LCU1-0401N-B3S0.2/SN8
LCU1-0401P-A3S0.2/SN5	31	LCU1-0401P-A3S0.2/SN8
LCU1-0401P-B3S0.2/SN5	32	LCU1-0401P-B3S0.2/SN8

FCU***/SN5	└─ φ 5 Pigtail mode
FCU***/SN8	└─ φ 8 Pigtail mode

2.3 φ3x0.15	
Approx.30 g	Approx.31 g

M4
●
1.0 mm
stainless steel
●



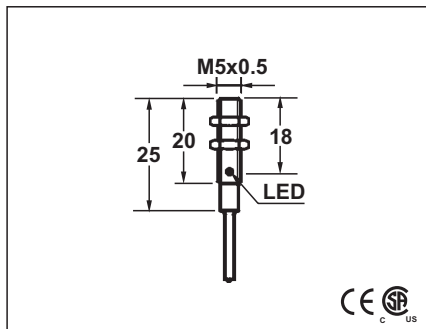
10-30VDC
<10%
<10mA
200mA
<0.01mA
-
-
<1.5V
2KHZ
0.1ms/0.1ms
<15%(Sr)
<2.0%(Sr)
IP67
-25°C - +70°C
<10%(Sr)
YES
220mA
<10ms
RFI>3V/m / EFT>1KV / ESD>4KV (contact)
IEC 60947-5-2, Part 7.4.1 / IEC 60947-5-2, Part 7.4.2
POM

LCU1-0401N-ACU3	25
LCU1-0401N-BCU3	25
LCU1-0401P-ACU3	26
LCU1-0401P-BCU3	26

--	--

Approx.22 g

M5
●
1.5 mm
stainless steel
●



10-30VDC
<10%
<10mA
200mA
<0.01mA
-
-
<1.5V
2KHZ
0.1ms/0.1ms
<15%(Sr)
<2.0%(Sr)
IP67
-25°C - +70°C
<10%(Sr)
YES
220mA
<10ms
RFI>3V/m / EFT>1KV / ESD>4KV (contact)
IEC 60947-5-2, Part 7.4.1 / IEC 60947-5-2, Part 7.4.2
POM

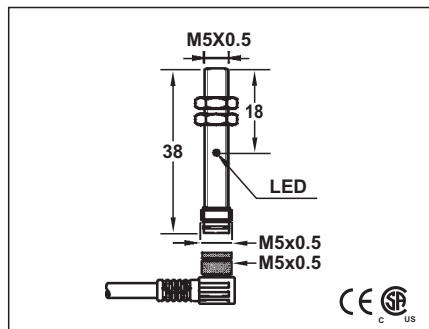
LCU1-051.5N-A3U2	1
LCU1-051.5N-B3U2	2
LCU1-051.5P-A3U2	3
LCU1-051.5P-B3U2	4

--	--

2.7 φ3x0.15
Approx.22 g

DC MINIATURE LONG SENSING DISTANCE PROXIMITY SWITCH

M5
●
1.5 mm
stainless steel
●



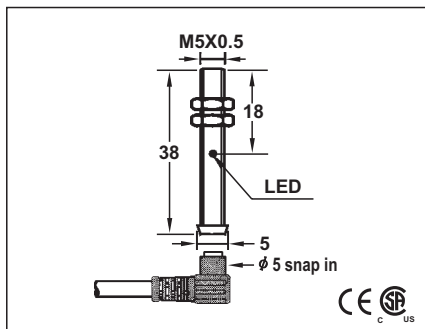
10-30VDC
<10%
<10mA
200mA
<0.01mA
-
-
<1.5V
2KHZ
0.1ms/0.1ms
<15%(Sr)
<2.0%(Sr)
IP67
-25°C - +70°C
<10%(Sr)
YES
220mA
<10ms
RFI>3V/m / EFT>1KV / ESD>4KV (contact)
IEC 60947-5-2,Part 7.4.1 / IEC 60947-5-2,Part 7.4.2
POM

LCU1-051.5N-AMU4	29
LCU1-051.5N-BMU4	30
LCU1-051.5P-AMU4	31
LCU1-051.5P-BMU4	32

--

Approx.18 g

M5
●
1.5 mm
stainless steel
●



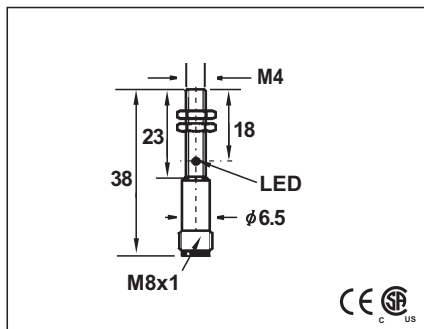
10-30VDC
<10%
<10mA
200mA
<0.01mA
-
-
<2.0V
2KHZ
0.1ms/0.1ms
<15%(Sr)
<2.0%(Sr)
IP67
-25°C - +70°C
<10%(Sr)
YES
220mA
<10ms
RFI>3V/m / EFT>1KV / ESD>4KV (contact)
IEC 60947-5-2,Part 7.4.1 / IEC 60947-5-2,Part 7.4.2
POM

LCU1-051.5N-AMU4/SN	29
LCU1-051.5N-BMU4/SN	30
LCU1-051.5P-AMU4/SN	31
LCU1-051.5P-BMU4/SN	32

φ5 Miniature snap in connector

Approx.18 g

M5
●
1.5 mm
stainless steel
●



10-30VDC
<10%
<10mA
200mA
<0.01mA
-
-
<1.5V
2KHZ
0.1ms/0.1ms
<15%(Sr)
<2.0%(Sr)
IP67
-25°C - +70°C
<10%(Sr)
YES
220mA
<10ms
RFI>3V/m / EFT>1KV / ESD>4KV (contact)
IEC 60947-5-2,Part 7.4.1 / IEC 60947-5-2,Part 7.4.2
POM

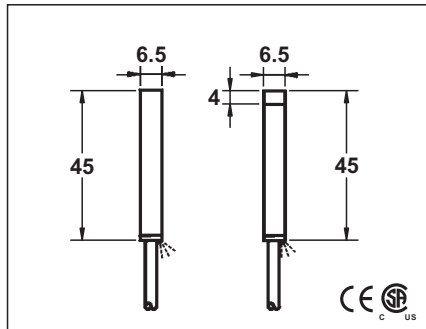
LCU1-051.5N-ACU3	25
LCU1-051.5N-BCU3	25
LCU1-051.5P-ACU3	26
LCU1-051.5P-BCU3	26

--

Approx.20 g

DC LONG SENSING DISTANCE PROXIMITY SWITCH

φ6.5	
3 mm	6 mm
Stainless steel and nickel plated brass	



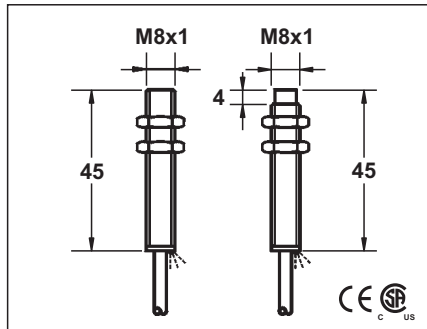
10-30VDC
<10%
<10mA
200mA
<0.01mA
-
-
<2.0V
1KHZ
0.1ms/0.1ms
<15%(Sr)
<2.0%(Sr)
IP67
-25°C - +70°C
<10%(Sr)
YES
220mA
<10ms
RFI>3V/m / EFT>1KV / ESD>4KV (contact)
IEC 60947-5-2,Part 7.4.1 / IEC 60947-5-2,Part 7.4.2
POM

LCM1-D0603N-A3U2	1	LCM2-D0606N-A3U2
LCM1-D0603N-B3U2	2	LCM2-D0606N-B3U2
LCM1-D0603P-A3U2	3	LCM2-D0606P-A3U2
LCM1-D0603P-B3U2	4	LCM2-D0606P-B3U2
LCM1-D0603NU	21	LCM2-D0606NU



3 φ3x0.15
Approx.36 g

M 8	
3 mm	6 mm
Stainless steel and nickel plated brass	



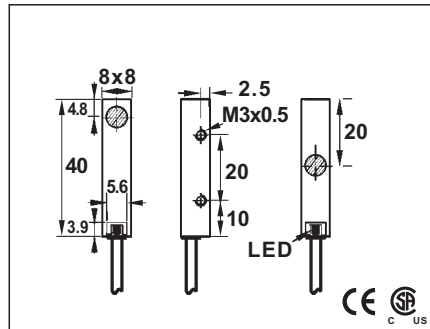
10-30VDC
<10%
<10mA
200mA
<0.01mA
-
-
<2.0V
1KHZ
0.1ms/0.1ms
<15%(Sr)
<2.0%(Sr)
IP67
-25°C - +70°C
<10%(Sr)
YES
220mA
<10ms
RFI>3V/m / EFT>1KV / ESD>4KV (contact)
IEC 60947-5-2,Part 7.4.1 / IEC 60947-5-2,Part 7.4.2
POM

LCM1-0803N-A3U2	1	LCM2-0806N-A3U2
LCM1-0803N-B3U2	2	LCM2-0806N-B3U2
LCM1-0803P-A3U2	3	LCM2-0806P-A3U2
LCM1-0803P-B3U2	4	LCM2-0806P-B3U2
LCM1-0803NU	21	LCM2-0806NU



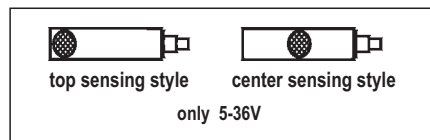
3 φ3x0.15
Approx.40 g

Q8	
3 mm	
die-cast	



10-30VDC
<10%
<10mA
200mA
<0.01mA
-
-
<2.0V
1KHZ
0.1ms/0.1ms
<15%(Sr)
<2.0%(Sr)
IP67
-25°C - +70°C
<10%(Sr)
YES
220mA
<10ms
RFI>3V/m / EFT>1KV / ESD>4KV (contact)
IEC 60947-5-2,Part 7.4.1 / IEC 60947-5-2,Part 7.4.2
POM

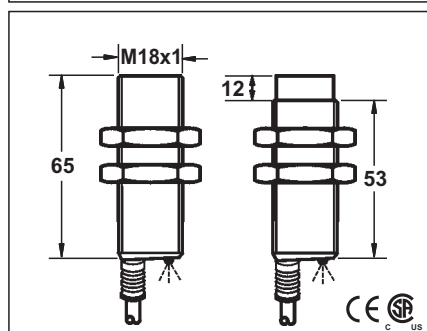
LQM1-8803N-A3U2T	1	LQM1-8803N-A3U2M
LQM1-8803N-B3U2T	2	LQM1-8803N-B3U2M
LQM1-8803P-A3U2T	3	LQM1-8803P-A3U2M
LQM1-8803P-B3U2T	4	LQM1-8803P-B3U2M
LQM1-8803NUT	21	LQM1-8803NUM



3 φ3X0.15
Approx.38 g

DC LONG SENSING DISTANCE PROXIMITY SWITCH

M 18	
●	○
12 mm	20 mm
nickel plated brass	
●	

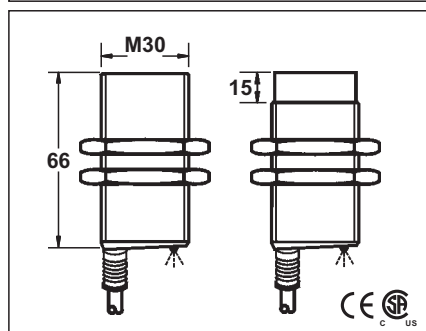


10-30VDC or 10-60VDC	
<10%	
<10mA	
200mA	
<0.05mA	
-	
<2V	
300HZ	100HZ
0.5ms/0.5ms	1ms/1ms
<15%(Sr)	
<2.0%(Sr)	
IP67	
-25°C - +70°C	
<10%(Sr)	
YES	
220mA	
<10ms	
RFI>3V/m / EFT>1KV / ESD>4KV (contact)	
IEC 60947-5-2,Part 7.4.1 / IEC 60947-5-2,Part 7.4.2	
PBT	

LCM1-1812N-A3U2	1	LCM2-1820N-A3U2
LCM1-1812N-B3U2	2	LCM2-1820N-B3U2
LCM1-1812P-A3U2	3	LCM2-1820P-A3U2
LCM1-1812P-B3U2	4	LCM2-1820P-B3U2
LCM1-1812P-S4U2	6	LCM2-1820P-S4U2
LCM1-1812N-S4U2	5	LCM2-1820N-S4U2
LCM1-1812C-A2U2	7	LCM2-1820C-A2U2
LCM1-1812C-B2U2	8	LCM2-1820C-B2U2
LCM1-1812NU	8	LCM2-1820NU

5.0 ϕ44x0.1	
Approx.110 g	Approx.114 g

M 30	
●	○
22 mm	40 mm
nickel plated brass	
●	



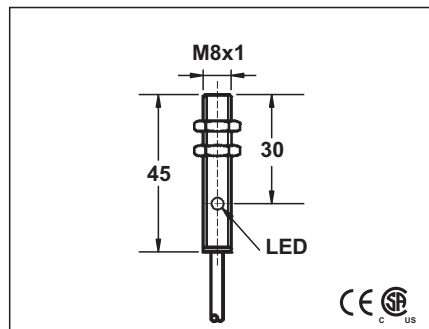
10-30VDC or 10-60VDC	
<10%	
<10mA	
200mA	
<0.05mA	
-	
<2V	
300HZ	100HZ
0.5ms/0.5ms	1ms/1ms
<15%(Sr)	
<2.0%(Sr)	
IP67	
-25°C - +70°C	
<10%(Sr)	
YES	
220mA	
<10ms	
RFI>3V/m / EFT>1KV / ESD>4KV (contact)	
IEC 60947-5-2,Part 7.4.1 / IEC 60947-5-2,Part 7.4.2	
PBT	

LCM1-3022N-A3U2	1	LCM2-3040N-A3U2
LCM1-3022N-B3U2	2	LCM2-3040N-B3U2
LCM1-3022P-A3U2	3	LCM2-3040P-A3U2
LCM1-3022P-B3U2	4	LCM2-3040P-B3U2
LCM1-3022P-S4U2	6	LCM2-3040P-S4U2
LCM1-3022N-S4U2	5	LCM2-3040N-S4U2
LCM1-3022C-A2U2	7	LCM2-3040C-A2U2
LCM1-3022C-B2U2	8	LCM2-3040C-B2U2
LCM1-3022NU	8	LCM2-3040NU

5.8 ϕ3x0.5	
Approx.231 g	Approx.241 g

DC LONGER SENSING DISTANCE PROXIMITY SWITCH

M 8
●
4 mm (4xdistance)
Stainless steel and nickel plated brass
●



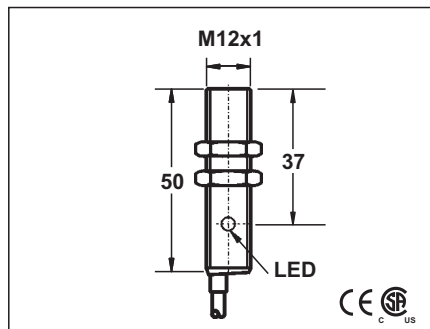
10-30VDC
<10%
<10mA
200mA
<0.01mA
-
<2V
500HZ
0.2ms/0.2ms
<15%(Sr)
<2.0%(Sr)
IP67
-25°C - +70°C
<10%(Sr)
YES
220mA
<10ms
RFI>3V/m / EFT>1KV / ESD>4KV (contact)
IEC 60947-5-2,Part 7.4.1 / IEC 60947-5-2,Part 7.4.2
POM

LCM1-0804N-A3U2	1
LCM1-0804N-B3U2	2
LCM1-0804P-A3U2	3
LCM1-0804P-B3U2	4



3 ϕ 3x0.15 Approx.40 g

M 12
●
8 mm (4xdistance)
Stainless steel and nickel plated brass
●



10-30VDC
<10%
<10mA
200mA
<0.01mA
-
<2V
400HZ
0.5ms/0.5ms
<15%(Sr)
<2.0%(Sr)
IP67
-25°C - +70°C
<10%(Sr)
YES
220mA
<10ms
RFI>3V/m / EFT>1KV / ESD>4KV (contact)
IEC 60947-5-2,Part 7.4.1 / IEC 60947-5-2,Part 7.4.2
POM

LCM1-1208N-A3U2	1
LCM1-1208N-B3U2	2
LCM1-1208P-A3U2	3
LCM1-1208P-B3U2	4



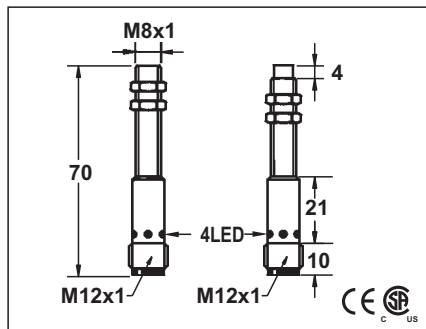
4 ϕ 3x0.15 Approx.56 g





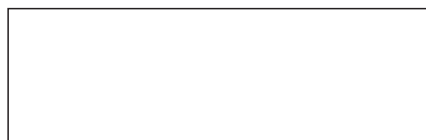
DC LONG SENSING DISTANCE PROXIMITY SWITCH CONNECTOR TYPE

M 8	
●	○
3 mm	6 mm
nickel plated brass	
●	



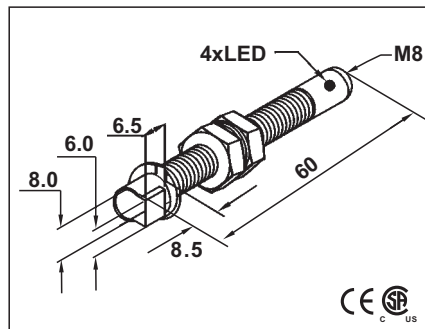
10-30VDC
<10%
<10mA
200mA
<0.01mA
-
-
<2.0V
1KHZ
0.1ms/0.1ms
<15%(Sr)
<2.0%(Sr)
IP67
-25 °C - +70 °C
<10%(Sr)
YES
220mA
<10ms
RFI>3V/m / EFT>1KV / ESD>4KV (contact)
IEC 60947-5-2,Part 7.4.1 / IEC 60947-5-2,Part 7.4.2
POM

LCM1-0803N-ARU4	29	LCM2-0806N-ARU4	
LCM1-0803N-BRU4	30	LCM2-0806N-BRU4	
LCM1-0803P-ARU4	31	LCM2-0806P-ARU4	
LCM1-0803P-BRU4	32	LCM2-0806P-BRU4	



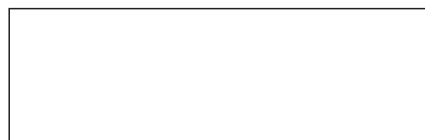
Approx.22 g

M 8	
●	○
3 mm	6 mm
nickel plated brass	
●	



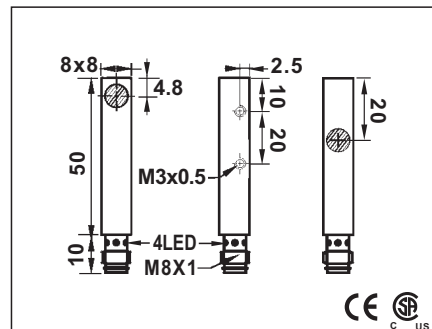
10-30VDC
<10%
<10mA
200mA
<0.01mA
-
-
<2.0V
1KHZ
0.1ms/0.1ms
<15%(Sr)
<2.0%(Sr)
IP67
-25 °C - +70 °C
<10%(Sr)
YES
220mA
<10ms
RFI>3V/m / EFT>1KV / ESD>4KV (contact)
IEC 60947-5-2,Part 7.4.1 / IEC 60947-5-2,Part 7.4.2
POM

LCM1-0803N-ACU3T	25
LCM1-0803N-BCU3T	25
LCM1-0803P-ACU3T	26
LCM1-0803P-BCU3T	26



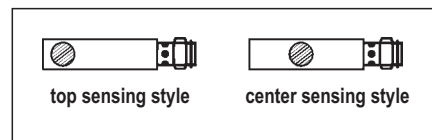
Approx.22 g

Q8	
●	○
3 mm	6 mm
die-cast	
●	






10-30VDC
<10%
<10mA
200mA
<0.01mA
-
-
<2.0V
1KHZ
0.1ms/0.1ms
<15%(Sr)
<2.0%(Sr)
IP67
-25 °C - +70 °C
<10%(Sr)
YES
220mA
<10ms
RFI>3V/m / EFT>1KV / ESD>4KV (contact)
IEC 60947-5-2,Part 7.4.1 / IEC 60947-5-2,Part 7.4.2
POM

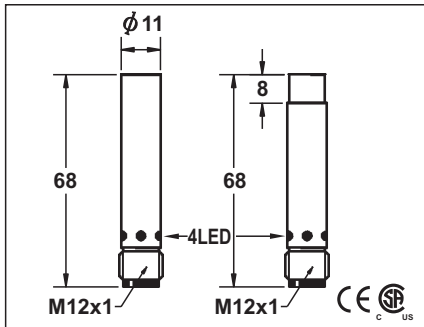
LQM1-8803N-ACU3T	25	LQM1-8803N-ACU3M
LQM1-8803N-BCU3T	25	LQM1-8803N-BCU3M
LQM1-8803P-ACU3T	26	LQM1-8803P-ACU3M
LQM1-8803P-BCU3T	26	LQM1-8803P-BCU3M



Approx.38 g

DC LONG SENSING DISTANCE PROXIMITY SWITCH CONNECTOR TYPE

φ11	
	
6 mm	10 mm
nickel plated brass	
	






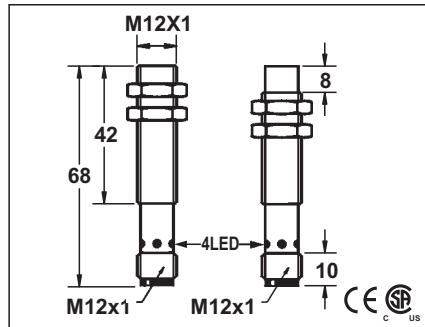
10-30VDC	
<10%	
<10mA	
200mA	
<0.01mA	
-	
-	
<2V	
1KHZ	500HZ
0.1ms/0.1ms	0.2ms/0.2ms
<15%(Sr)	
<2.0%(Sr)	
IP67	
-25°C - +70°C	
<10%(Sr)	
YES	
220mA	
<10ms	
RFI>3V/m / EFT>1KV / ESD>4KV (contact)	
IEC 60947-5-2, Part 7.4.1 / IEC 60947-5-2, Part 7.4.2	
POM	

LCM1-D1106N-ARU4	29	LCM2-D1110N-ARU4
LCM1-D1106N-BRU4	30	LCM2-D1110N-BRU4
LCM1-D1106P-ARU4	31	LCM2-D1110P-ARU4
LCM1-D1106P-BRU4	32	LCM2-D1110P-BRU4



approx.29g

M 12	
	
6 mm	10 mm
nickel plated brass	
	





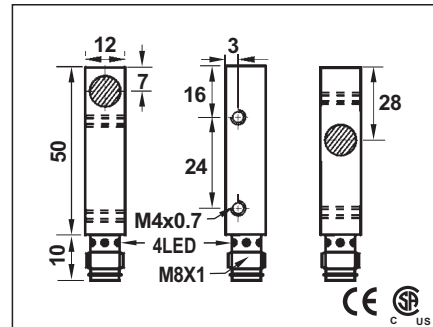
10-30VDC	
<10%	
<10mA	
200mA	
<0.01mA	
-	
-	
<2V	
1KHZ	500HZ
0.1ms/0.1ms	0.2ms/0.2ms
<15%(Sr)	
<2.0%(Sr)	
IP67	
-25°C - +70°C	
<10%(Sr)	
YES	
220mA	
<10ms	
RFI>3V/m / EFT>1KV / ESD>4KV (contact)	
IEC 60947-5-2, Part 7.4.1 / IEC 60947-5-2, Part 7.4.2	
PBT	

LCM1-1206N-ARU4	29	LCM2-1210N-ARU4
LCM1-1206N-BRU4	30	LCM2-1210N-BRU4
LCM1-1206P-ARU4	31	LCM2-1210P-ARU4
LCM1-1206P-BRU4	32	LCM2-1210P-BRU4



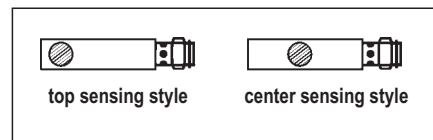
approx.31g	approx.30g
------------	------------

Q12	
	
6 mm	
die-cast	
	



10-30VDC	
<10%	
<10mA	
200mA	
<0.01mA	
-	
-	
<2.0V	
1KHZ	500HZ
0.1ms/0.1ms	0.2ms/0.2ms
<15%(Sr)	
<2.0%(Sr)	
IP67	
-25°C - +70°C	
<10%(Sr)	
YES	
220mA	
<10ms	
RFI>3V/m / EFT>1KV / ESD>4KV (contact)	
IEC 60947-5-2, Part 7.4.1 / IEC 60947-5-2, Part 7.4.2	
PBT	

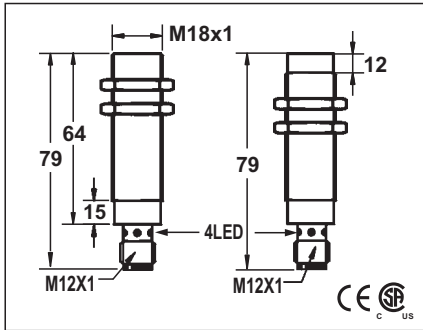
LQM1-1206N-ACU3T	25	LQM1-1206N-ACU3M
LQM1-1206N-BCU3T	25	LQM1-1206N-BCU3M
LQM1-1206P-ACU3T	26	LQM1-1206P-ACU3M
LQM1-1206P-BCU3T	26	LQM1-1206P-BCU3M



4 φ3X0.34
Approx.75 g

DC LONG SENSING DISTANCE PROXIMITY SWITCH CONNECTOR TYPE

M 18	
●	○
12 mm	20 mm
nickel plated brass	
●	



10-30VDC or 10-60VDC	
<10%	
<10mA	
200mA	
<0.05mA	
-	
<2V	
300HZ	100HZ
0.5ms/0.5ms	1ms/1ms

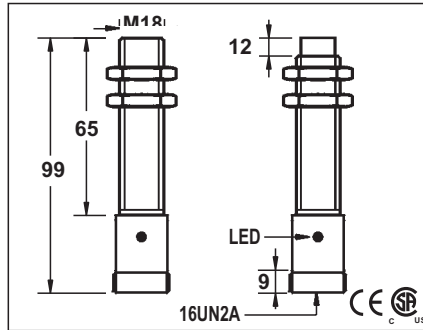
<15%(Sr)	
<2.0%(Sr)	
IP67	
-25°C - +70°C	
<10%(Sr)	
YES	
220mA	
<10ms	

RFI>3V/m / EFT>1KV / ESD>4KV (contact)
IEC 60947-5-2,Part 7.4.1 / IEC 60947-5-2,Part 7.4.2
PBT

LCM1-1812N-ARU4	29	LCM2-1820N-ARU4
LCM1-1812N-BRU4	30	LCM2-1820N-BRU4
LCM1-1812P-ARU4	31	LCM2-1820P-ARU4
LCM1-1812P-BRU4	32	LCM2-1820P-BRU4
LCM1-1812P-SRU4	34	LCM2-1820P-SRU4
LCM1-1812N-SRU4	33	LCM2-1820N-SRU4
LCM1-1812C-ARU4	36	LCM2-1820C-ARU4
LCM1-1812C-BRU4	74	LCM2-1820C-BRU4
LCM1-1812NU-R	21	LCM2-1820NU-R

approx.66g	approx.70g
------------	------------

M 18	
●	○
12 mm	20 mm
nickel plated brass	
●	



10-30VDC or 10-60VDC	
<10%	
<10mA	
200mA	
<0.05mA	
-	
<2V	
300HZ	100HZ
0.5ms/0.5ms	1ms/1ms

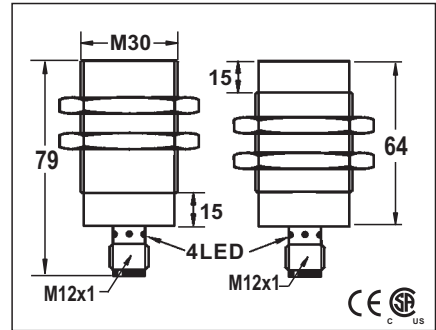
<15%(Sr)	
<2.0%(Sr)	
IP67	
-25°C - +70°C	
<10%(Sr)	
YES	
220mA	
<10ms	

RFI>3V/m / EFT>1KV / ESD>4KV (contact)
IEC 60947-5-2,Part 7.4.1 / IEC 60947-5-2,Part 7.4.2
PBT

LCM1-1812N-AZU4	37	LCM2-1820N-AZU4
LCM1-1812N-BZU4	38	LCM2-1820N-BZU4
LCM1-1812P-AZU4	39	LCM2-1820P-AZU4
LCM1-1812P-BZU4	40	LCM2-1820P-BZU4
LCM1-1812P-SZU4	37	LCM2-1820P-SZU4
LCM1-1812N-SZU4	38	LCM2-1820N-SZU4
LCM1-1812C-AZU4	39	LCM2-1820C-AZU4
LCM1-1812C-BZU4	40	LCM2-1820C-BZU4
LCM1-1812NU-Z	21	LCM2-1820NU-Z

approx.66g	approx.70g
------------	------------

M 30	
●	○
22 mm	40 mm
nickel plated brass	
●	



10-30VDC or 10-60VDC	
<10%	
<10mA	
200mA	
<0.05mA	
-	
<2V	
300HZ	100HZ
0.5ms/0.5ms	1ms/1ms

<15%(Sr)	
<2.0%(Sr)	
IP67	
-25°C - +70°C	
<10%(Sr)	
YES	
220mA	
<10ms	

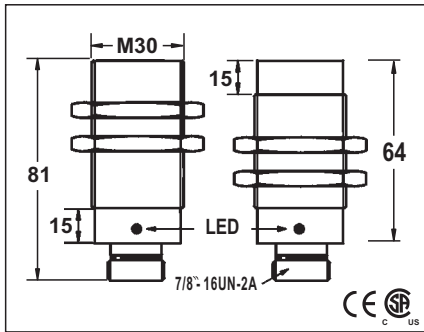
RFI>3V/m / EFT>1KV / ESD>4KV (contact)
IEC 60947-5-2,Part 7.4.1 / IEC 60947-5-2,Part 7.4.2
PBT

LCM1-3022N-ARU4	29	LCM2-3040N-ARU4
LCM1-3022N-BRU4	30	LCM2-3040N-BRU4
LCM1-3022P-ARU4	31	LCM2-3040P-ARU4
LCM1-3022P-BRU4	32	LCM2-3040P-BRU4
LCM1-3022P-SRU4	34	LCM2-3040P-SRU4
LCM1-3022N-SRU4	33	LCM2-3040N-SRU4
LCM1-3022C-ARU4	36	LCM2-3040C-ARU4
LCM1-3022C-BRU4	74	LCM2-3040C-BRU4
LCM1-3022NU-R	21	LCM2-3040NU-R

approx.147g	approx.170g
-------------	-------------

DC LONG SENSING DISTANCE PROXIMITY SWITCH CONNECTOR TYPE

M 30	
22 mm	40 mm
nickel plated brass	



10-30VDC or 10-60VDC	
<10%	
<10mA	
200mA	
<0.05mA	
-	
-	
<2V	
300HZ	100HZ
0.5ms/0.5ms	1ms/1ms
<15%(Sr)	
<2.0%(Sr)	
IP67	
-25°C - +70°C	
<10%(Sr)	
YES	
220mA	
<10ms	
RFI>3V/m / EFT>1KV / ESD>4KV (contact)	
IEC 60947-5-2,Part 7.4.1 / IEC 60947-5-2,Part 7.4.2	
PBT	

LCM1-3022N-AZU4	37	LCM2-3040N-AZU4
LCM1-3022N-BZU4	38	LCM2-3040N-BZU4
LCM1-3022P-AZU4	39	LCM2-3040P-AZU4
LCM1-3022P-BZU4	40	LCM2-3040P-BZU4
LCM1-3022P-SZU4	42	LCM2-3040P-SZU4
LCM1-3022N-SZU4	41	LCM2-3040N-SZU4
LCM1-3022C-AZU4	43	LCM2-3040C-AZU4
LCM1-3022C-BZU4	75	LCM2-3040C-BZU4
LCM1-3022NI-Z	21	LCM2-3040NU-Z

--	--

approx.187g	approx.179g
-------------	-------------

--	--

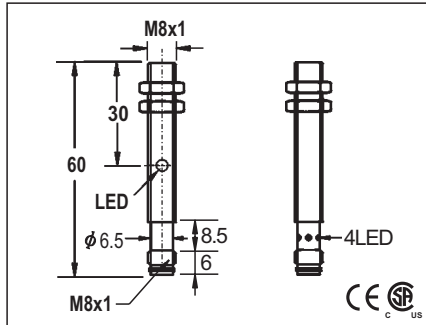
--	--

--	--

--	--

DC LONGER SENSING DISTANCE PROXIMITY SWITCH CONNECTOR TYPE

M 8
●
4 mm (4x distance)
nickel plated brass
●



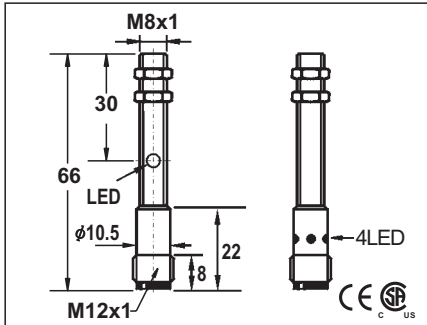
10-30VDC
<10%
<10mA
200mA
<0.01mA
-
<2.0V
500HZ
0.2ms/0.2ms
<15%(Sr)
<2.0%(Sr)
IP67
-25 °C - +70 °C
<10%(Sr)
YES
220mA
<10ms
RFI>3V/m / EFT>1KV / ESD>4KV (contact)
IEC 60947-5-2,Part 7.4.1 / IEC 60947-5-2,Part 7.4.2
POM

LCM1-0804N-ACU3	25	LCM1-0804N-ACU3/4L
LCM1-0804N-BCU3	25	LCM1-0804N-BCU3/4L
LCM1-0804P-ACU3	26	LCM1-0804P-ACU3/4L
LCM1-0804P-BCU3	26	LCM1-0804P-BCU3/4L



Approx.20 g

M 8
●
4 mm (4x distance)
nickel plated brass
●



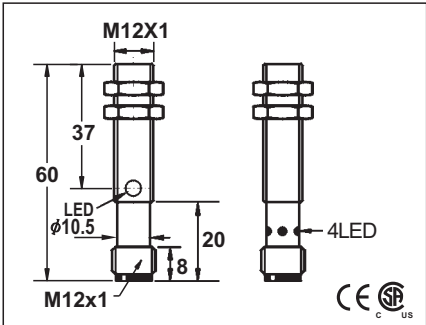
10-30VDC
<10%
<10mA
200mA
<0.01mA
-
<2.0V
500HZ
0.2ms/0.2ms
<15%(Sr)
<2.0%(Sr)
IP67
-25 °C - +70 °C
<10%(Sr)
YES
220mA
<10ms
RFI>3V/m / EFT>1KV / ESD>4KV (contact)
IEC 60947-5-2,Part 7.4.1 / IEC 60947-5-2,Part 7.4.2
POM

LCM1-0804N-ARU4	29	LCM1-0804N-ARU4/4L
LCM1-0804N-BRU4	30	LCM1-0804N-BRU4/4L
LCM1-0804P-ARU4	31	LCM1-0804P-ARU4/4L
LCM1-0804P-BRU4	32	LCM1-0804P-BRU4/4L



Approx.22 g

M 12
●
8 mm (4x distance)
nickel plated brass
●



10-30VDC
<10%
<10mA
200mA
<0.01mA
-
<2V
400HZ
0.5ms/0.5ms
<15%(Sr)
<2.0%(Sr)
IP67
-25 °C - +70 °C
<10%(Sr)
YES
220mA
<10ms
RFI>3V/m / EFT>1KV / ESD>4KV (contact)
IEC 60947-5-2,Part 7.4.1 / IEC 60947-5-2,Part 7.4.2
PBT

LCM1-1208N-ARU4	29	LCM1-1208N-ARU4/4L
LCM1-1208N-BRU4	30	LCM1-1208N-BRU4/4L
LCM1-1208P-ARU4	31	LCM1-1208P-ARU4/4L
LCM1-1208P-BRU4	32	LCM1-1208P-BRU4/4L



approx.31g

DC SHORT BODY WITH LONG SENSING DISTANCE PROXIMITY SWITCH

φ6.5
●
3mm
nickel plated brass
●

10-30VDC
<10%
<10mA
200mA
<0.01mA
-
<2.0V
1KHZ
0.1ms/0.1ms
<15%(Sr)
<2.0%(Sr)
IP67
-25 °C - +70 °C
<10%(Sr)
YES
220mA
<10ms
RFI>3V/m / EFT>1KV / ESD>4KV (contact)
IEC 60947-5-2,Part 7.4.1 / IEC 60947-5-2,Part 7.4.2
POM

LCM1-D0603N-A3S2	1
LCM1-D0603N-B3S2	2
LCM1-D0603P-A3S2	3
LCM1-D0603P-B3S2	4

3 φ3x0.15
Approx.40 g

φ6.5
●
3mm
nickel plated brass
●

10-30VDC
<10%
<10mA
200mA
<0.01mA
-
<2.0V
1KHZ
0.1ms/0.1ms
<15%(Sr)
<2.0%(Sr)
IP67
-25 °C - +70 °C
<10%(Sr)
YES
220mA
<10ms
RFI>3V/m / EFT>1KV / ESD>4KV (contact)
IEC 60947-5-2,Part 7.4.1 / IEC 60947-5-2,Part 7.4.2
POM

LCM1-D0603N-ACS3	25
LCM1-D0603N-BCS3	25
LCM1-D0603P-ACS3	26
LCM1-D0603P-BCS3	26

Approx.35 g

M 8
●
3mm
nickel plated brass
●

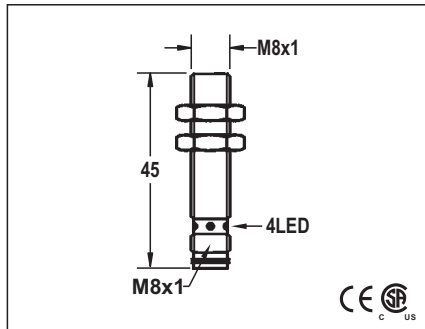
10-30VDC
<10%
<10mA
200mA
<0.01mA
-
<2.0V
1KHZ
0.1ms/0.1ms
<15%(Sr)
<2.0%(Sr)
IP67
-25 °C - +70 °C
<10%(Sr)
YES
220mA
<10ms
RFI>3V/m / EFT>1KV / ESD>4KV (contact)
IEC 60947-5-2,Part 7.4.1 / IEC 60947-5-2,Part 7.4.2
POM

LCM1-0803N-A3S2	1
LCM1-0803N-B3S2	2
LCM1-0803P-A3S2	3
LCM1-0803P-B3S2	4

3 φ3x0.15
Approx.47 g

DC SHORT BODY WITH LONG SENSING DISTANCE PROXIMITY SWITCH

M 8
●
3mm
nickel plated brass
●



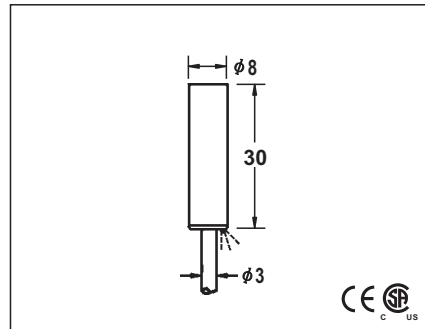
10-30VDC
<10%
<10mA
200mA
<0.01mA
-
-
<2.0V
1KHZ
0.1ms/0.1ms
<15%(Sr)
<2.0%(Sr)
IP67
-25°C - +70°C
<10%(Sr)
YES
220mA
<10ms
RFI>3V/m / EFT>1KV / ESD>4KV (contact)
IEC 60947-5-2,Part 7.4.1 / IEC 60947-5-2,Part 7.4.2
POM

LCM1-0803N-ACS3	25
LCM1-0803N-BCS3	25
LCM1-0803P-ACS3	26
LCM1-0803P-BCS3	26



Approx.42 g

$\phi 8$
●
3mm
nickel plated brass
●



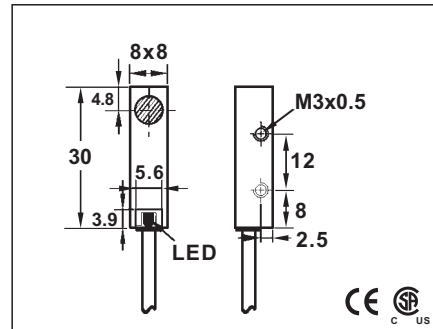
10-30VDC
<10%
<10mA
200mA
<0.01mA
-
-
<2.0V
1KHZ
0.1ms/0.1ms
<15%(Sr)
<2.0%(Sr)
IP67
-25°C - +70°C
<10%(Sr)
YES
220mA
<10ms
RFI>3V/m / EFT>1KV / ESD>4KV (contact)
IEC 60947-5-2,Part 7.4.1 / IEC 60947-5-2,Part 7.4.2
POM

LCM1-D0803N-A3S2	1
LCM1-D0803N-B3S2	2
LCM1-D0803P-A3S2	3
LCM1-D0803P-B3S2	4



3 $\phi 3 \times 0.15$
Approx.45 g

Q8
●
3 mm
die-cast
●



10-30VDC
<10%
<10mA
200mA
<0.01mA
-
-
<2.0V
1KHZ
0.1ms/0.1ms
<15%(Sr)
<2.0%(Sr)
IP67
-25°C - +70°C
<10%(Sr)
YES
220mA
<10ms
RFI>3V/m / EFT>1KV / ESD>4KV (contact)
IEC 60947-5-2,Part 7.4.1 / IEC 60947-5-2,Part 7.4.2
POM

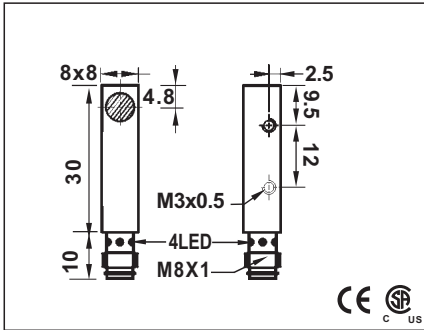
LQM1-8803N-A3S2T	1
LQM1-8803N-B3S2T	2
LQM1-8803P-A3S2T	3
LQM1-8803P-B3S2T	4



3 $\phi 3 \times 0.15$
Approx.35 g

DC SHORT BODY WITH LONG SENSING DISTANCE PROXIMITY SWITCH

Q8
●
3 mm
die-cast
●

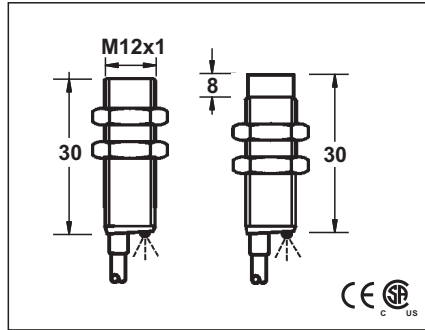


10-30VDC
<10%
<10mA
200mA
<0.01mA
-
-
<2.0V
1KHZ
0.1ms/0.1ms
<15%(Sr)
<2.0%(Sr)
IP67
-25°C - +70°C
<10%(Sr)
YES
220mA
<10ms
RFI>3V/m / EFT>1KV / ESD>4KV (contact)
IEC 60947-5-2,Part 7.4.1 / IEC 60947-5-2,Part 7.4.2
POM

LQM1-8803N-ACS3T	25
LQM1-8803N-BCS3T	25
LQM1-8803P-ACS3T	26
LQM1-8803P-BCS3T	26

Approx.25 g

M12
● ○
6 mm 10 mm
nickel plated brass
●

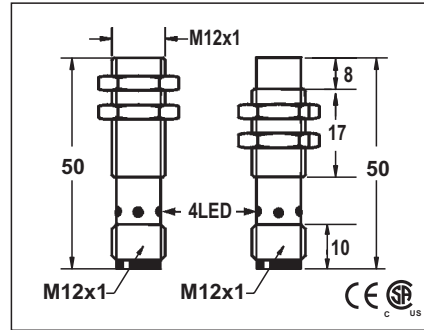


10-30VDC
<10%
<10mA
200mA
<0.01mA
-
-
<2.0V
1KHZ
0.1ms/0.1ms
<15%(Sr)
<2.0%(Sr)
IP67
-25°C - +70°C
<10%(Sr)
YES
220mA
<10ms
RFI>3V/m / EFT>1KV / ESD>4KV (contact)
IEC 60947-5-2,Part 7.4.1 / IEC 60947-5-2,Part 7.4.2
POM

LCM1-1206N-A3S2	1	LCM2-1210N-A3S2
LCM1-1206N-B3S2	2	LCM2-1210N-B3S2
LCM1-1206P-A3S2	3	LCM2-1210P-A3S2
LCM1-1206P-B3S2	4	LCM2-1210P-B3S2

4φ 3x0.15	
Approx.25 g	Approx.23 g

M12
● ○
6 mm 10 mm
nickel plated brass
●



10-30VDC
<10%
<10mA
200mA
<0.01mA
-
-
<2.0V
1KHZ
0.1ms/0.1ms
<15%(Sr)
<2.0%(Sr)
IP67
-25°C - +70°C
<10%(Sr)
YES
220mA
<10ms
RFI>3V/m / EFT>1KV / ESD>4KV (contact)
IEC 60947-5-2,Part 7.4.1 / IEC 60947-5-2,Part 7.4.2
POM

LCM1-1206N-ARS4	29	LCM2-1210N-ARS4
LCM1-1206N-BRS4	30	LCM2-1210N-BRS4
LCM1-1206P-ARS4	31	LCM2-1210P-ARS4
LCM1-1206P-BRS4	32	LCM2-1210P-BRS4

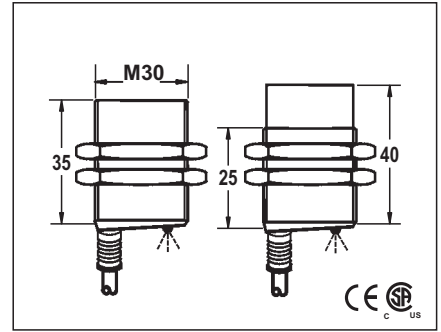
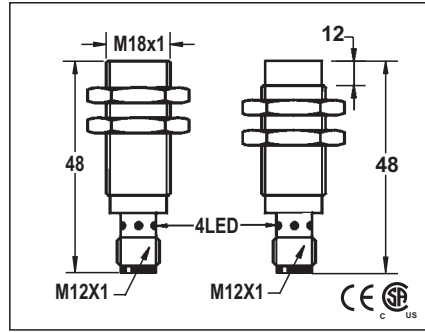
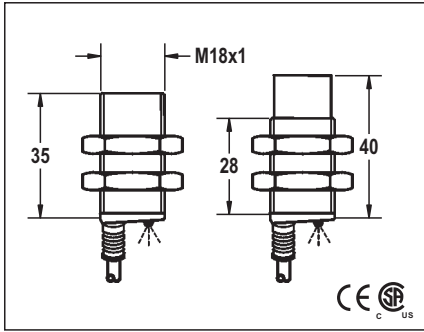
Approx.25 g	Approx.23 g
-------------	-------------

DC SHORT BODY WITH LONG SENSING DISTANCE PROXIMITY SWITCH

M18	
●	○
12 mm	20 mm
nickel plated brass	

M18	
●	○
12 mm	20 mm
nickel plated brass	

M30	
●	○
22 mm	40 mm
nickel plated brass	



10-30VDC or 10-60VDC	
<10%	
<10mA	
200mA	
<0.01mA	
-	
<2.0V	
1KHZ	
0.1ms/0.1ms	
<15%(Sr)	
<2.0%(Sr)	
IP67	
-25°C - +70°C	
<10%(Sr)	
YES	
220mA	
<10ms	
RFI>3V/m / EFT>1KV / ESD>4KV (contact)	
IEC 60947-5-2,Part 7.4.1 / IEC 60947-5-2,Part 7.4.2	

10-30VDC or 10-60VDC	
<10%	
<10mA	
200mA	
<0.01mA	
-	
<2.0V	
1KHZ	
0.1ms/0.1ms	
<15%(Sr)	
<2.0%(Sr)	
IP67	
-25°C - +70°C	
<10%(Sr)	
YES	
220mA	
<10ms	
RFI>3V/m / EFT>1KV / ESD>4KV (contact)	
IEC 60947-5-2,Part 7.4.1 / IEC 60947-5-2,Part 7.4.2	

10-30VDC or 10-60VDC	
<10%	
<10mA	
200mA	
<0.01mA	
-	
<2.0V	
1KHZ	
0.1ms/0.1ms	
<15%(Sr)	
<2.0%(Sr)	
IP67	
-25°C - +70°C	
<10%(Sr)	
YES	
220mA	
<10ms	
RFI>3V/m / EFT>1KV / ESD>4KV (contact)	
IEC 60947-5-2,Part 7.4.1 / IEC 60947-5-2,Part 7.4.2	

POM	
LCM1-1812N-A3S2	1
LCM1-1812N-B3S2	2
LCM1-1812P-A3S2	3
LCM1-1812P-B3S2	4
LCM1-1812P-S4S2	6
LCM1-1812N-S4S2	5
LCM1-1812C-A2S2	7
LCM1-1812C-B2S2	8

POM	
LCM1-1812N-ARS4	29
LCM1-1812N-BRS4	30
LCM1-1812P-ARS4	31
LCM1-1812P-BRS4	32
LCM1-1812P-SRS4	34
LCM1-1812N-SRS4	33
LCM1-1812C-ARS4	36
LCM1-1812C-BRS4	74

POM	
LCM1-3022N-A3S2	1
LCM1-3022N-B3S2	2
LCM1-3022P-A3S2	3
LCM1-3022P-B3S2	4
LCM1-3022P-S4S2	6
LCM1-3022N-S4S2	5
LCM1-3022C-A2S2	7
LCM1-3022C-B2S2	8

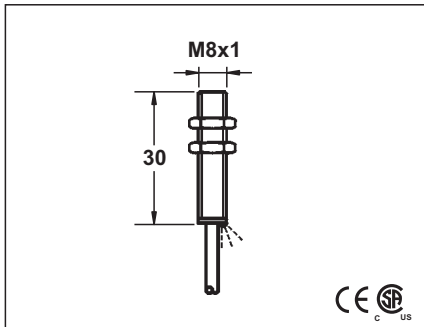
5.0 ø 44x0.1	
Approx.132 g	Approx.134 g

Approx.25 g	
Approx.25 g	Approx.23 g

5.8 ø 3 x0.5	
Approx.180 g	Approx.182 g

DC SHORT BODY WITH LONGER SENSING DISTANCE PROXIMITY SWITCH

M 8
●
4 mm (4x distance)
Stainless steel and nickel plated brass
●



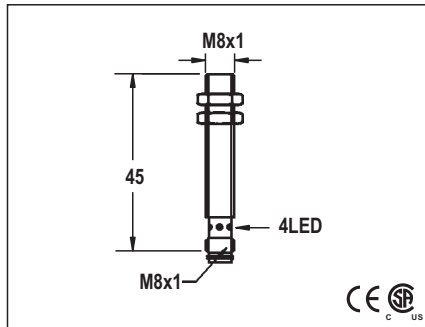
10-30VDC
<10%
<10mA
200mA
<0.01mA
-
-
<2V
500HZ
0.2ms/0.2ms
<15%(Sr)
<2.0%(Sr)
IP67
-25°C - +70°C
<10%(Sr)
YES
220mA
<10ms

RFI>3V/m / EFT>1KV / ESD>4KV (contact)
IEC 60947-5-2, Part 7.4.1 / IEC 60947-5-2, Part 7.4.2
POM

LCM1-0804N-A3S2	1
LCM1-0804N-B3S2	2
LCM1-0804P-A3S2	3
LCM1-0804P-B3S2	4

3 φ 3x0.15
Approx. 38 g

M 8
●
4 mm (4x distance)
nickel plated brass
●



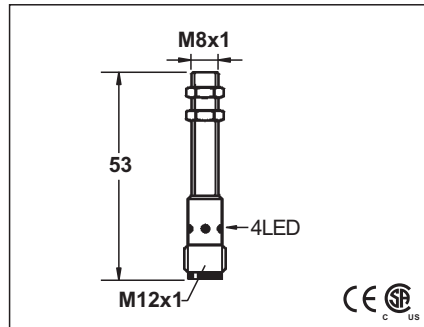
10-30VDC
<10%
<10mA
200mA
<0.01mA
-
-
<2.0V
500HZ
0.2ms/0.2ms
<15%(Sr)
<2.0%(Sr)
IP67
-25 °C - +70 °C
<10%(Sr)
YES
220mA
<10ms

RFI>3V/m / EFT>1KV / ESD>4KV (contact)
IEC 60947-5-2, Part 7.4.1 / IEC 60947-5-2, Part 7.4.2
POM

LCM1-0804N-ACS3	25
LCM1-0804N-BCS3	25
LCM1-0804P-ACS3	26
LCM1-0804P-BCS3	26

Approx. 12 g

M 8
●
4 mm (4x distance)
nickel plated brass
●



10-30VDC
<10%
<10mA
200mA
<0.01mA
-
-
<2.0V
500HZ
0.2ms/0.2ms
<15%(Sr)
<2.0%(Sr)
IP67
-25 °C - +70 °C
<10%(Sr)
YES
220mA
<10ms

RFI>3V/m / EFT>1KV / ESD>4KV (contact)
IEC 60947-5-2, Part 7.4.1 / IEC 60947-5-2, Part 7.4.2
POM

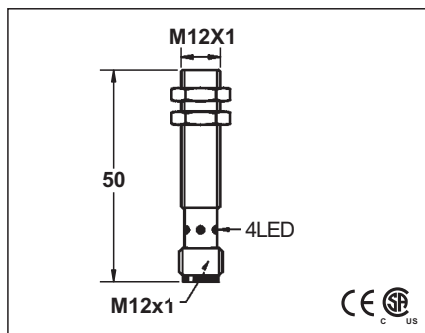
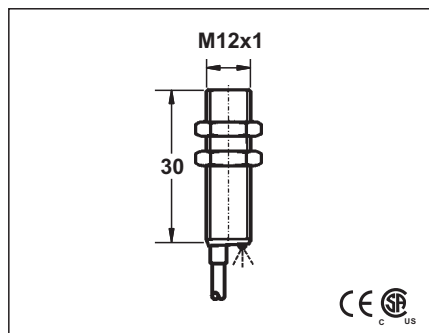
LCM1-0804N-ARS4	29
LCM1-0804N-BRS4	30
LCM1-0804P-ARS4	31
LCM1-0804P-BRS4	32

Approx. 17 g

DC SHORT BODY WITH LONGER SENSING DISTANCE PROXIMITY SWITCH

M 12
●
8 mm (4xdistance)
Stainless steel and nickel plated brass
●

M 12
●
8 mm (4xdistance)
nickel plated brass
●



10-30VDC
<10%
<10mA
200mA
<0.01mA
-
-
<2V
400HZ
0.5ms/0.5ms
<15%(Sr)
<2.0%(Sr)
IP67
-25°C - +70°C
<10%(Sr)
YES
220mA
<10ms
RFI>3V/m / EFT>1KV / ESD>4KV (contact)
IEC 60947-5-2,Part 7.4.1 / IEC 60947-5-2,Part 7.4.2
POM

10-30VDC
<10%
<10mA
200mA
<0.01mA
-
-
<2V
400HZ
0.5ms/0.5ms
<15%(Sr)
<2.0%(Sr)
IP67
-25°C - +70°C
<10%(Sr)
YES
220mA
<10ms
RFI>3V/m / EFT>1KV / ESD>4KV (contact)
IEC 60947-5-2,Part 7.4.1 / IEC 60947-5-2,Part 7.4.2
PBT

LCM1-1208N-A3S2	1
LCM1-1208N-B3S2	2
LCM1-1208P-A3S2	3
LCM1-1208P-B3S2	4

LCM1-1208N-ARS4	29
LCM1-1208N-BRS4	30
LCM1-1208P-ARS4	31
LCM1-1208P-BRS4	32

4φ 3x0.15
Approx.54 g

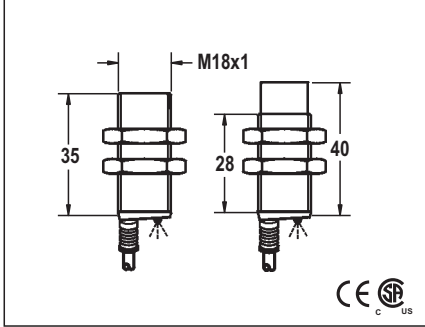
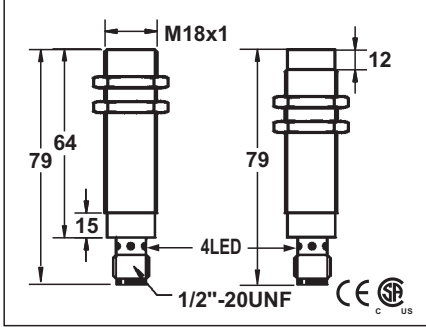
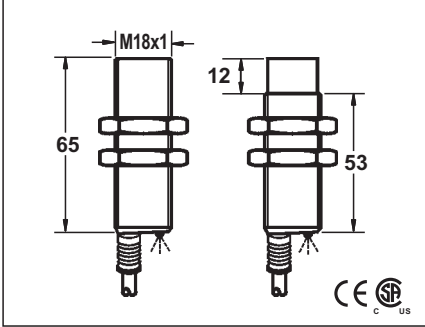
Approx.25g

AC/DC LONG SENSING DISTANCE PROXIMITY SWITCH

M 18	
●	○
12 mm	20 mm
nickel plated brass	

M 18	
●	○
12 mm	20 mm
nickel plated brass	

M18	
●	○
12 mm	20 mm
nickel plated brass	



20-250VAC/DC	
<10%	
<10mA	
200mA	
<0.05mA	
-	
-	
<2V	
300HZ	100HZ
0.5ms/0.5ms	1ms/1ms
<15%(Sr)	
<2.0%(Sr)	
IP67	
-25°C - +70 °C	
<10%(Sr)	
YES	
220mA	
<10ms	
RFI>3V/m / EFT>1KV / ESD>4KV (contact)	
IEC 60947-5-2, Part 7.4.1 / IEC 60947-5-2, Part 7.4.2	
PBT	

20-250VAC/DC	
<10%	
<10mA	
200mA	
<0.05mA	
-	
-	
<2V	
300HZ	100HZ
0.5ms/0.5ms	1ms/1ms
<15%(Sr)	
<2.0%(Sr)	
IP67	
-25°C - +70 °C	
<10%(Sr)	
YES	
220mA	
<10ms	
RFI>3V/m / EFT>1KV / ESD>4KV (contact)	
IEC 60947-5-2, Part 7.4.1 / IEC 60947-5-2, Part 7.4.2	
PBT	

20-250VAC/DC	
<10%	
<10mA	
200mA	
<0.01mA	
-	
-	
<2.0V	
1KHZ	
0.1ms/0.1ms	
<15%(Sr)	
<2.0%(Sr)	
IP67	
-25 °C - +70 °C	
<10%(Sr)	
YES	
220mA	
<10ms	
RFI>3V/m / EFT>1KV / ESD>4KV (contact)	
IEC 60947-5-2, Part 7.4.1 / IEC 60947-5-2, Part 7.4.2	
POM	

LCM1-1812U-A2U2	11	LCM2-1820U-A2U2
LCM1-1812U-B2U2	12	LCM2-1820U-B2U2

LCM1-1812U-AUU3	52	LCM2-1820U-AUU3
LCM1-1812U-BUU3	52	LCM2-1820U-BUU3

LCM1-1812U-A2S2	11	LCM2-1820U-A2S2
LCM1-1812U-B2S2	12	LCM2-1820U-B2S2

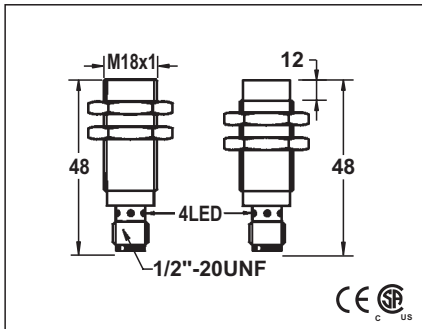
5.0 Ø 44x0.1	
Approx.110 g	Approx.114 g

approx.66g		approx.70g	
------------	--	------------	--

5.0 Ø 44x0.1	
Approx.132 g	Approx.134 g

AC/DC LONG SENSING DISTANCE PROXIMITY SWITCH

M18	
●	○
12 mm	20 mm
nickel plated brass	
●	

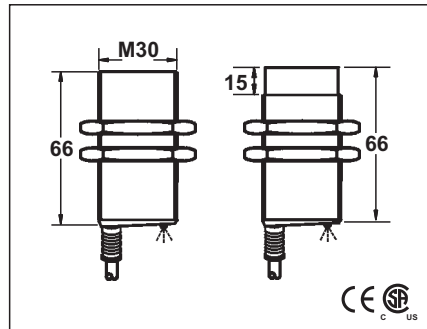


20-250VAC/DC	
<10%	
<10mA	
200mA	
<0.01mA	
-	
-	
<2.0V	
1KHZ	
0.1ms/0.1ms	
<15%(Sr)	
<2.0%(Sr)	
IP67	
-25°C - +70°C	
<10%(Sr)	
YES	
220mA	
<10ms	
RFI>3V/m / EFT>1KV / ESD>4KV (contact)	
IEC 60947-5-2,Part 7.4.1 / IEC 60947-5-2,Part 7.4.2	
POM	

LCM1-1812U-AUS3	52	LCM2-1820U-AUS3
LCM1-1812U-BUS3	52	LCM2-1820U-BUS3

Approx.25 g	Approx.23 g
-------------	-------------

M 30	
●	○
22 mm	40 mm
nickel plated brass	
●	

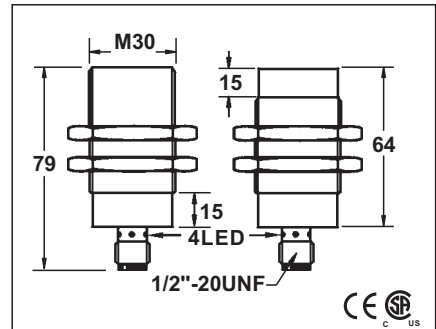


20-250VAC/DC	
<10%	
<10mA	
200mA	
<0.05mA	
-	
-	
<2V	
300HZ	100HZ
0.5ms/0.5ms	1ms/1ms
<15%(Sr)	
<2.0%(Sr)	
IP67	
-25°C - +70°C	
<10%(Sr)	
YES	
220mA	
<10ms	
RFI>3V/m / EFT>1KV / ESD>4KV (contact)	
IEC 60947-5-2,Part 7.4.1 / IEC 60947-5-2,Part 7.4.2	
PBT	

LCM1-3022U-A2U2	11	LCM2-3040U-A2U2
LCM1-3022U-B2U2	12	LCM2-3040U-B2U2

5.8ø3x0.5	
Approx.231 g	Approx.241 g

M 30	
●	○
22 mm	40 mm
nickel plated brass	
●	



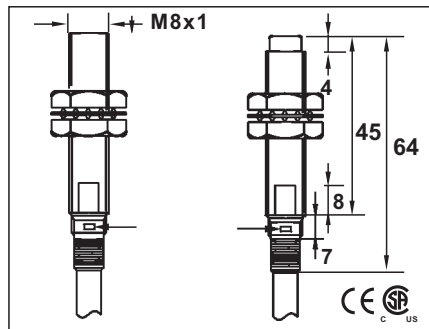
20-250VAC/DC	
<10%	
<10mA	
200mA	
<0.05mA	
-	
-	
<2V	
300HZ	100HZ
0.5ms/0.5ms	1ms/1ms
<15%(Sr)	
<2.0%(Sr)	
IP67	
-25°C - +70°C	
<10%(Sr)	
YES	
220mA	
<10ms	
RFI>3V/m / EFT>1KV / ESD>4KV (contact)	
IEC 60947-5-2,Part 7.4.1 / IEC 60947-5-2,Part 7.4.2	
PBT	

LCM1-3022U-AU03	52	LCM2-3040U-AU03
LCM1-3022U-BU03	52	LCM2-3040U-BU03

approx.147g	approx.170g
-------------	-------------

HIGH TORQUE, LONG SENSING DISTANCE PROXIMITY SWITCH

M8	
●	○
3.0 mm	6.0 mm
Stainless steel	
●	



10-30VDC	
<10%	
<10mA	
200mA	
<0.01mA	
-	
< 2.0 V	

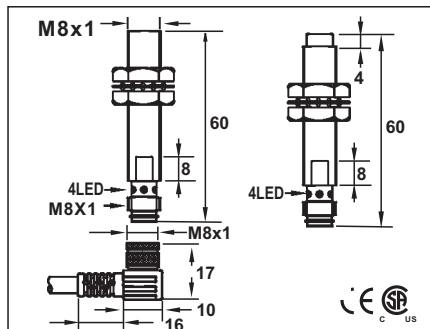
2KHZ	1KHZ
0.1ms/0.1ms	0.2ms/0.2ms
<15%(Sr)	
<1.0%(Sr)	
IP67	
-25°C - +70 °C	
<10%(Sr)	
YES	
220mA	
<10ms	

RFI>3V/m / EFT>1KV / ESD>4KV (contact)
IEC 60947-5-2,Part 7.4.1 / IEC 60947-5-2,Part 7.4.2
PBT

LCN1-0803N-A3U2	1	LCN2-0806N-A3U2
LCN1-0803N-B3U2	2	LCN2-0806N-B3U2
LCN1-0803P-A3U2	3	LCN2-0806P-A3U2
LCN1-0803P-B3U2	4	LCN2-0806P-B3U2

3.0 ϕ 3x0.15
Approx.40 g

M8	
●	○
3.0 mm	6.0 mm
Stainless steel	
●	



10-30VDC	
<10%	
<10mA	
200mA	
<0.01mA	
-	
< 2.0 V	

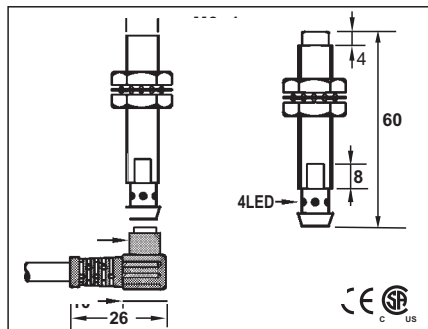
2KHZ	1KHZ
0.1ms/0.1ms	0.2ms/0.2ms
<15%(Sr)	
<1.0%(Sr)	
IP67	
-25°C - +70 °C	
<10%(Sr)	
YES	
220mA	
<10ms	

RFI>3V/m / EFT>1KV / ESD>4KV (contact)
IEC 60947-5-2,Part 7.4.1 / IEC 60947-5-2,Part 7.4.2
PBT

LCN1-0803N-ACU3	25	LCN2-0806N-ACU3
LCN1-0803N-BCU3	25	LCN2-0806N-BCU3
LCN1-0803P-ACU3	26	LCN2-0806P-ACU3
LCN1-0803P-BCU3	26	LCN2-0806P-BCU3

Approx.25 g

M8	
●	○
3.0 mm	6.0 mm
Stainless steel	
●	



10-30VDC	
<10%	
<10mA	
200mA	
<0.01mA	
-	
< 2.0 V	

2KHZ	1KHZ
0.1ms/0.1ms	0.2ms/0.2ms
<15%(Sr)	
<1.0%(Sr)	
IP67	
-25°C - +70 °C	
<10%(Sr)	
YES	
220mA	
<10ms	

RFI>3V/m / EFT>1KV / ESD>4KV (contact)
IEC 60947-5-2,Part 7.4.1 / IEC 60947-5-2,Part 7.4.2
PBT

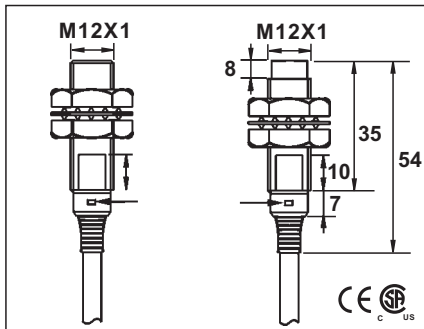
LCN1-0803N-ACU3/SN	25	LCN2-0806N-ACU3/SN
LCN1-0803N-BCU3/SN	25	LCN2-0806N-BCU3/SN
LCN1-0803P-ACU3/SN	26	LCN2-0806P-ACU3/SN
LCN1-0803P-BCU3/SN	26	LCN2-0806P-BCU3/SN

ϕ 8 Snap in connector

Approx.25 g

HIGH TORQUE, LONG SENSING DISTANCE PROXIMITY SWITCH

M12	
●	○
6.0 mm	10.0 mm
Nickel plated brass	
●	



10-30VDC
<10%
<10mA
200mA
<0.01mA
-
-
< 2 V

500HZ	300HZ
0.5ms/0.5ms	0.5ms/0.5ms
<15%(Sr)	
<1.0%(Sr)	
IP67	
-25°C - +70°C	
<10%(Sr)	
YES	
220mA	
<10ms	

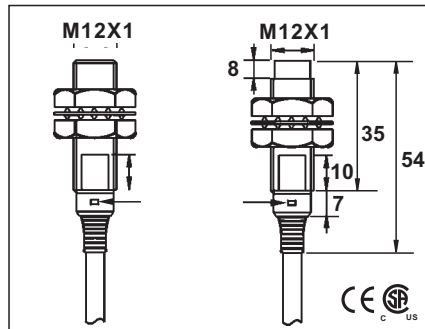
RFI>3V/m / EFT>1KV / ESD>4KV (contact)
IEC 60947-5-2,Part 7.4.1 / IEC 60947-5-2,Part 7.4.2

PBT

LCN1-1206N-A3S2	1	LCN2-1206N-A3S2
LCN1-1206N-B3S2	2	LCN2-1206N-B3S2
LCN1-1206P-A3S2	3	LCN2-1206P-A3S2
LCN1-1206P-B3S2	4	LCN2-1206P-B3S2

4.0 ϕ 3x0.34
Approx.60 g

M12	
●	○
6.0 mm	10.0 mm
Nickel plated brass	
●	



10-30VDC
<10%
<10mA
200mA
<0.01mA
-
-
< 2 V

500HZ	300HZ
0.5ms/0.5ms	0.5ms/0.5ms
<15%(Sr)	
<1.0%(Sr)	
IP67	
-25°C - +70°C	
<10%(Sr)	
YES	
220mA	
<10ms	

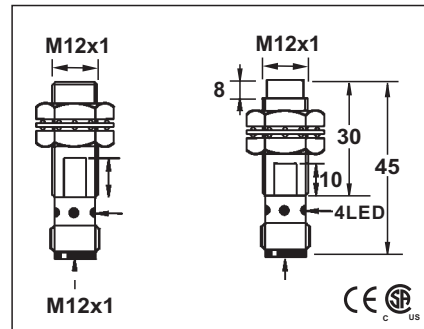
RFI>3V/m / EFT>1KV / ESD>4KV (contact)
IEC 60947-5-2,Part 7.4.1 / IEC 60947-5-2,Part 7.4.2

PBT

LCN1-1206N-A3U2	1	LCN2-1210N-A3U2
LCN1-1206N-B3U2	2	LCN2-1210N-B3U2
LCN1-1206P-A3U2	3	LCN2-1210P-A3U2
LCN1-1206P-B3U2	4	LCN2-1210P-B3U2
LCN1-1206P-S4U2	6	LCN2-1210P-S4U2
LCN1-1206N-S4U2	5	LCN2-1210N-S4U2

4.0 ϕ 3x0.34
Approx.67 g

M12	
●	○
6.0 mm	10.0 mm
Nickel plated brass	
●	



10-30VDC
<10%
<10mA
200mA
<0.01mA
-
-
< 2 V

500HZ	300HZ
0.5ms/0.5ms	0.5ms/0.5ms
<15%(Sr)	
<1.0%(Sr)	
IP67	
-25°C - +70°C	
<10%(Sr)	
YES	
220mA	
<10ms	

RFI>3V/m / EFT>1KV / ESD>4KV (contact)
IEC 60947-5-2,Part 7.4.1 / IEC 60947-5-2,Part 7.4.2

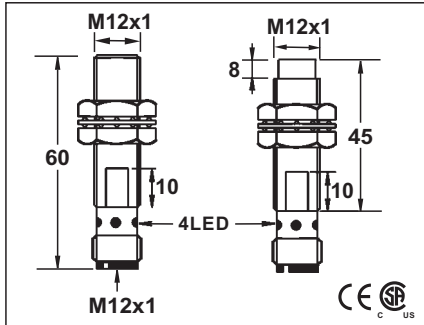
PBT

LCN1-1206N-ARS4/45	29	LCN2-1210N-ARS4/45
LCN1-1206N-BRS4/45	30	LCN2-1210N-BRS4/45
LCN1-1206P-ARS4/45	31	LCN2-1210P-ARS4/45
LCN1-1206P-BRS4/45	32	LCN2-1210P-BRS4/45

Approx.20 g

HIGH TORQUE, LONG SENSING DISTANCE PROXIMITY SWITCH

M12	
●	○
6.0 mm	10.0 mm
Nickel plated brass	
●	

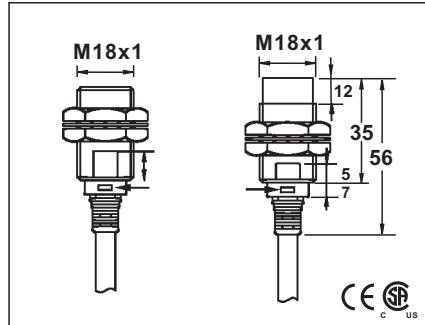


10-30VDC	
<10%	
<10mA	
200mA	
<0.01mA	
-	
-	
< 2.0 V	
300HZ 0.5ms/0.5ms	100HZ 1ms/1ms
<15%(Sr)	
<1.0%(Sr)	
IP67	
-25°C - +70 °C	
<10%(Sr)	
YES	
220mA	
<10ms	
RFI>3V/m / EFT>1KV / ESD>4KV (contact)	
IEC 60947-5-2, Part 7.4.1 / IEC 60947-5-2, Part 7.4.2	
PBT	

LCN1-1206N-ARS4/60	29	LCN2-1210N-ARS4/60
LCN1-1206N-BRS4/60	30	LCN2-1210N-BRS4/60
LCN1-1206P-ARS4/60	31	LCN2-1210P-ARS4/60
LCN1-1206P-BRS4/60	32	LCN2-1210P-BRS4/60
LCN1-1206P-SRS4/60	33	LCN2-1210P-SRS4/60
LCN1-1206N-SRS4/60	34	LCN2-1210N-SRS4/60

Approx.23 g

M18	
●	○
12.0 mm	20.0 mm
Nickel plated brass	
●	

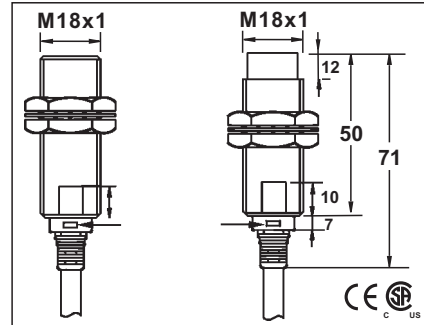


10-30VDC	
<10%	
<10mA	
200mA	
<0.01mA	
-	
-	
< 2.0 V	
300HZ 0.5ms/0.5ms	100HZ 1ms/1ms
<15%(Sr)	
<1.0%(Sr)	
IP67	
-25°C - +70 °C	
<10%(Sr)	
YES	
220mA	
<10ms	
RFI>3V/m / EFT>1KV / ESD>4KV (contact)	
IEC 60947-5-2, Part 7.4.1 / IEC 60947-5-2, Part 7.4.2	
PBT	

LCN1-1812N-A3S2/35	1	LCN2-1820N-A3S2/35
LCN1-1812N-B3S2/35	2	LCN2-1820N-B3S2/35
LCN1-1812P-A3S2/35	3	LCN2-1820P-A3S2/35
LCN1-1812P-B3S2/35	4	LCN2-1820P-B3S2/35
LCN1-1812P-S4S2/35	6	LCN2-1820P-S4S2/35
LCN1-1812N-S4S2/35	5	LCN2-1820N-S4S2/35

5.8 ϕ 3x0.5 Approx.120 g

M18	
●	○
12.0 mm	20.0 mm
Nickel plated brass	
●	



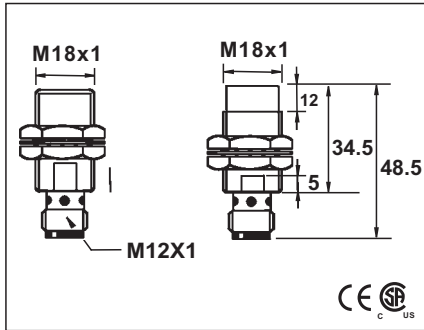
10-30VDC	
<10%	
<10mA	
200mA	
<0.01mA	
-	
-	
< 2.0 V	
300HZ 0.5ms/0.5ms	100HZ 1ms/1ms
<15%(Sr)	
<1.0%(Sr)	
IP67	
-25°C - +70 °C	
<10%(Sr)	
YES	
220mA	
<10ms	
RFI>3V/m / EFT>1KV / ESD>4KV (contact)	
IEC 60947-5-2, Part 7.4.1 / IEC 60947-5-2, Part 7.4.2	
PBT	

LCN1-1812N-A3U2	1	LCN2-1820N-A3U2
LCN1-1812N-B3U2	2	LCN2-1820N-B3U2
LCN1-1812P-A3U2	3	LCN2-1820P-A3U2
LCN1-1812P-B3U2	4	LCN2-1820P-B3U2
LCN1-1812P-S4U2	6	LCN2-1820P-S4U2
LCN1-1812N-S4U2	5	LCN2-1820N-S4U2

5.8 ϕ 3x0.5 Approx.140 g

HIGH TORQUE, LONG SENSING DISTANCE PROXIMITY SWITCH

M18	
●	○
12 mm	20 mm
Nickel plated brass	
●	

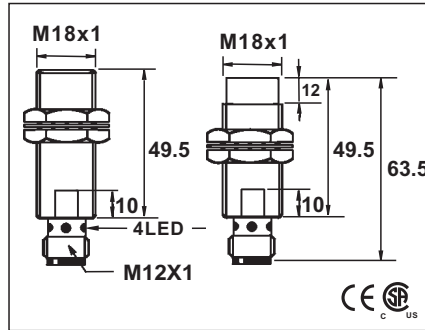


10-30VDC	
<10%	
<10mA	
200mA	
<0.01mA	
-	
-	
< 2 V	
300HZ	100HZ
0.5ms/0.5ms	1ms/1ms
<15%(Sr)	
<1.0%(Sr)	
IP67	
-25°C - +70°C	
<10%(Sr)	
YES	
220mA	
<10ms	
RFI>3V/m / EFT>1KV / ESD>4KV (contact)	
IEC 60947-5-2, Part 7.4.1 / IEC 60947-5-2, Part 7.4.2	
PBT	
LCN1-1812N-ARS4/48	29 LCN2-1820N-ARS4/48
LCN1-1812N-BRS4/48	30 LCN2-1820N-BRS4/48
LCN1-1812P-ARS4/48	31 LCN2-1820P-ARS4/48
LCN1-1812P-BRS4/48	32 LCN2-1820P-BRS4/48
LCN1-1812P-SRS4/48	34 LCN2-1820P-SRS4/48
LCN1-1812N-SRS4/48	33 LCN2-1820N-SRS4/48



Approx.39 g

M18	
●	○
12 mm	20 mm
Nickel plated brass	
●	

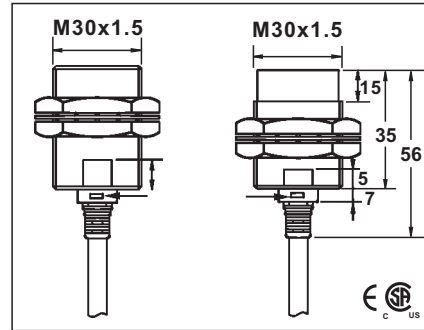


10-30VDC	
<10%	
<10mA	
200mA	
<0.01mA	
-	
-	
< 2 V	
300HZ	100HZ
0.5ms/0.5ms	1ms/1ms
<15%(Sr)	
<1.0%(Sr)	
IP67	
-25°C - +70°C	
<10%(Sr)	
YES	
220mA	
<10ms	
RFI>3V/m / EFT>1KV / ESD>4KV (contact)	
IEC 60947-5-2, Part 7.4.1 / IEC 60947-5-2, Part 7.4.2	
PBT	
LCN1-1812N-ARS4/63	29 LCN2-1820N-ARS4/63
LCN1-1812N-BRS4/63	30 LCN2-1820N-BRS4/63
LCN1-1812P-ARS4/63	31 LCN2-1820P-ARS4/63
LCN1-1812P-BRS4/63	32 LCN2-1820P-BRS4/63
LCN1-1812P-SRS4/63	34 LCN2-1820P-SRS4/63
LCN1-1812N-SRS4/63	33 LCN2-1820N-SRS4/63



Approx.92 g

M30	
●	○
22 mm	40 mm
Nickel plated brass	
●	



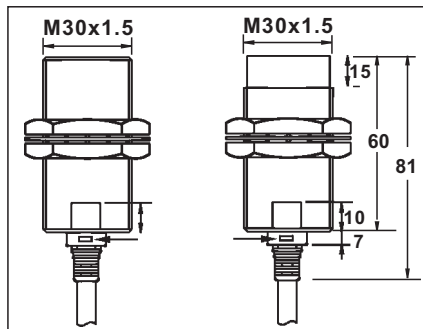
10-30VDC	
<10%	
<10mA	
200mA	
<0.01mA	
-	
-	
< 2 V	
300HZ	100HZ
0.5ms/0.5ms	1ms/1ms
<15%(Sr)	
<1.0%(Sr)	
IP67	
-25°C - +70°C	
<10%(Sr)	
YES	
220mA	
<10ms	
RFI>3V/m / EFT>1KV / ESD>4KV (contact)	
IEC 60947-5-2, Part 7.4.1 / IEC 60947-5-2, Part 7.4.2	
PBT	
LCN1-3022N-A3S2/35	1 LCN2-3040N-A3S2/35
LCN1-3022N-B3S2/35	2 LCN2-3040N-B3S2/35
LCN1-3022P-A3S2/35	3 LCN2-3040P-A3S2/35
LCN1-3022P-B3S2/35	4 LCN2-3040P-B3S2/35
LCN1-3022P-S4S2/35	6 LCN2-3040P-S4S2/35
LCN1-3022N-S4S2/35	5 LCN2-3040N-S4S2/35



5.8 φ 3x0.5 Approx180 g

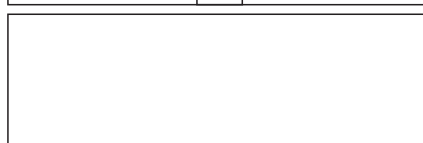
HIGH TORQUE, LONG SENSING DISTANCE PROXIMITY SWITCH

M30	
●	○
22 mm	40 mm
Nickel plated brass	
●	



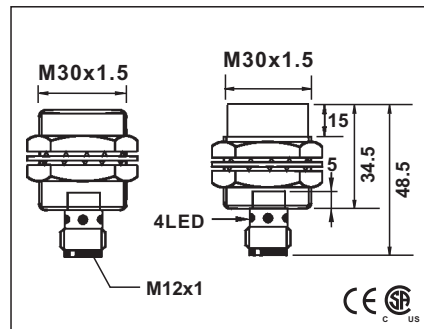
10-30VDC	
<10%	
<10mA	
200mA	
<0.01mA	
-	
-	
< 2 V	
300HZ	100HZ
0.5ms/0.5ms	1ms/1ms
<15%(Sr)	
<1.0%(Sr)	
IP67	
-25°C - +70°C	
<10%(Sr)	
YES	
220mA	
<10ms	
RFI>3V/m / EFT>1KV / ESD>4KV (contact)	
IEC 60947-5-2, Part 7.4.1 / IEC 60947-5-2, Part 7.4.2	
PBT	

LCN1-3022N-A3S2/60	1	LCN2-3040N-A3S2/60
LCN1-3022N-B3S2/60	2	LCN2-3040N-B3S2/60
LCN1-3022P-A3S2/60	3	LCN2-3040P-A3S2/60
LCN1-3022P-B3S2/60	4	LCN2-3040P-B3S2/60
LCN1-3022P-S4S2/60	6	LCN2-3040P-S4S2/60
LCN1-3022N-S4S2/60	5	LCN2-3040N-S4S2/60



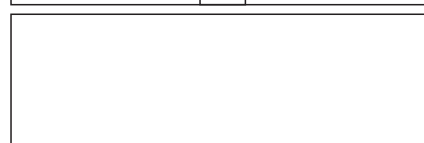
5.8 φ 3x0.5
Approx.210 g

M30	
●	○
22 mm	40 mm
Nickel plated brass	
●	



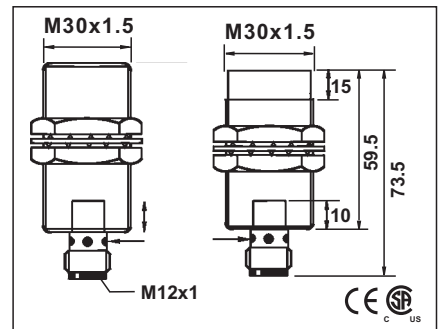
10-30VDC	
<10%	
<10mA	
200mA	
<0.01mA	
-	
-	
< 2 V	
300HZ	100HZ
0.5ms/0.5ms	1ms/1ms
<15%(Sr)	
<1.0%(Sr)	
IP67	
-25°C - +70°C	
<10%(Sr)	
YES	
220mA	
<10ms	
RFI>3V/m / EFT>1KV / ESD>4KV (contact)	
IEC 60947-5-2, Part 7.4.1 / IEC 60947-5-2, Part 7.4.2	
PBT	

LCN1-3022N-ARS4/48	29	LCN2-3040N-ARS4/48
LCN1-3022N-BRS4/48	30	LCN2-3040N-BRS4/48
LCN1-3022P-ARS4/48	31	LCN2-3040P-ARS4/48
LCN1-3022P-BRS4/48	32	LCN2-3040P-BRS4/48



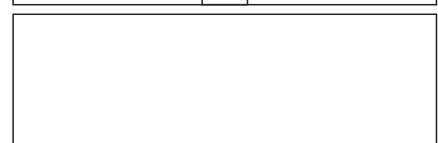
Approx.89 g

M30	
●	○
22 mm	40 mm
Nickel plated brass	
●	



10-30VDC	
<10%	
<10mA	
200mA	
<0.01mA	
-	
-	
< 2 V	
300HZ	100HZ
0.5ms/0.5ms	1ms/1ms
<15%(Sr)	
<1.0%(Sr)	
IP67	
-25°C - +70°C	
<10%(Sr)	
YES	
220mA	
<10ms	
RFI>3V/m / EFT>1KV / ESD>4KV (contact)	
IEC 60947-5-2, Part 7.4.1 / IEC 60947-5-2, Part 7.4.2	
PBT	

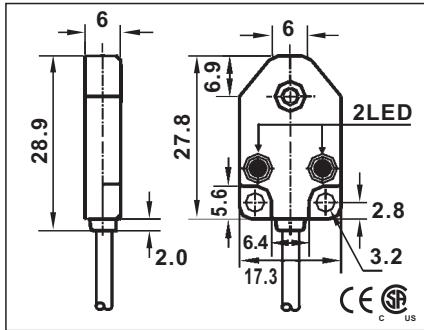
LCN1-3022N-ARS4/73	29	LCN2-3040N-ARS4/73
LCN1-3022N-BRS4/73	30	LCN2-3040N-BRS4/73
LCN1-3022P-ARS4/73	31	LCN2-3040P-ARS4/73
LCN1-3022P-BRS4/73	32	LCN2-3040P-BRS4/73
LCN1-3022P-SRS4/73	34	LCN2-3040P-SRS4/73
LCN1-3022N-SRS4/73	33	LCN2-3040N-SRS4/73



Approx.163 g

LONG SENSING DISTANCE PROXIMITY SWITCH SQUARE TYPE

Q 6
●
3 mm
PBT RESIN
●

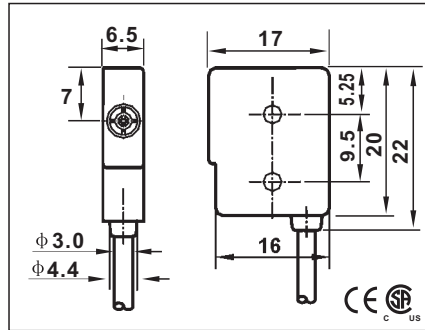


10-30VDC
<10%
<10mA
200mA
<0.01mA
-
-
<2.0V
1KHZ
0.1ms/0.1ms
<15%(Sr)
<2.0%(Sr)
IP67
-25 °C - +70 °C
<10%(Sr)
YES
220mA
<10ms
RFI>3V/m / EFT>1KV / ESD>4KV (contact)
IEC 60947-5-2,Part 7.4.1 / IEC 60947-5-2,Part 7.4.2
PBT

LQP1-0603N-A3U2T	1
LQP1-0603N-B3U2T	2
LQP1-0603P-A3U2T	3
LQP1-0603P-B3U2T	4

3 φ 3x0.15
Approx.55 g

Q 6.5
● ○
3 mm 6 mm
PBT RESIN
●

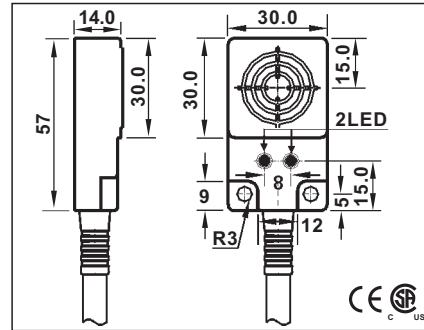


10-30VDC
<10%
<10mA
200mA
<0.01mA
-
-
<2.0V
1KHZ
0.1ms/0.1ms
<15%(Sr)
<2.0%(Sr)
IP67
-25 °C - +70 °C
<10%(Sr)
YES
220mA
<10ms
RFI>3V/m / EFT>1KV / ESD>4KV (contact)
IEC 60947-5-2,Part 7.4.1 / IEC 60947-5-2,Part 7.4.2
PBT

LQP1-6.503N-A3U2	1	LQP2-6.506N-A3U2
LQP1-6.503N-B3U2	2	LQP2-6.506N-B3U2
LQP1-6.503P-A3U2	3	LQP2-6.506P-A3U2
LQP1-6.503P-B3U2	4	LQP2-6.506P-B3U2

3 φ 3x0.15
Approx.80 g

Q 14
●
22 mm
PBT RESIN
●



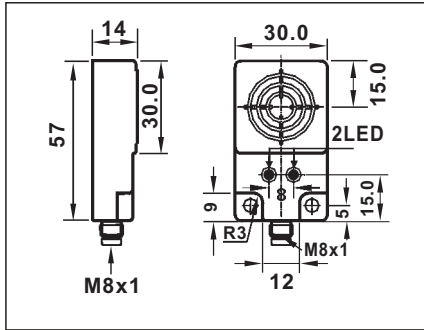
10-30VDC or 10-55VDC or 20-250VAC/DC
<10%
<10mA
200mA
<0.01mA
-
-
<2.0V
500HZ
0.5ms/0.5ms
<15%(Sr)
<2.0%(Sr)
IP67
-25 °C - +70 °C
<10%(Sr)
YES
220mA
<10ms
RFI>3V/m / EFT>1KV / ESD>4KV (contact)
IEC 60947-5-2,Part 7.4.1 / IEC 60947-5-2,Part 7.4.2
PBT

LQP1-1422N-A3U2	1
LQP1-1422N-B3U2	2
LQP1-1422P-A3U2	3
LQP1-1422P-B3U2	4

4 φ 3x0.15
Approx.110 g

LONG SENSING DISTANCE PROXIMITY SWITCH SQUARE TYPE

Q 14
●
22 mm
PBT RESIN
●

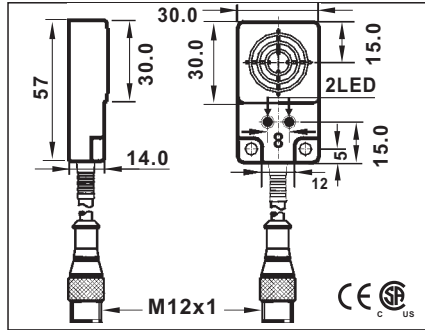


10-30VDC
<10%
<20mA
200mA
<0.01mA
-
-
<2.0V
300HZ
0.5ms/0.5ms
<15%(Sr)
<1.0%(Sr)
IP67
-25 °C - +70 °C
<10%(Sr)
YES
220mA
<10ms
RFI>3V/m / EFT>1KV / ESD>4KV (contact)
IEC 60947-5-2, Part 7.4.1 / IEC 60947-5-2, Part 7.4.2
PBT

LQP1-1422N-ACU3	1
LQP1-1422N-BCU3	2
LQP1-1422P-ACU3	3
LQP1-1422P-BCU3	4

Approx.70 g

Q 14
●
22 mm
PBT RESIN
●

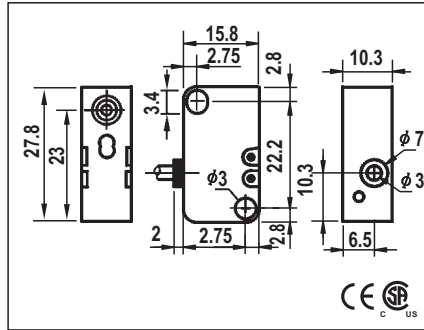


10-30VDC or 10-55VDC or 20-250VAC/DC
<10%
<20mA
200mA
<0.01mA
-
-
<2.0V
300HZ
0.5ms/0.5ms
<15%(Sr)
<1.0%(Sr)
IP67
-25 °C - +70 °C
<10%(Sr)
YES
220mA
<10ms
RFI>3V/m / EFT>1KV / ESD>4KV (contact)
IEC 60947-5-2, Part 7.4.1 / IEC 60947-5-2, Part 7.4.2
PBT

LQP1-1422N-ARU4	1
LQP1-1422N-BRU4	2
LQP1-1422P-ARU4	3
LQP1-1422P-BRU4	4

4φ 3x0.15
Approx.80 g

Q16x28x10
●
3 mm
○
6 mm
PBT RESIN
●



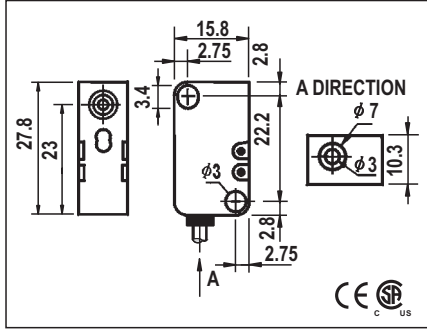
10-30VDC
<10%
<10mA
200mA
<0.01mA
-
-
<2.0V
1KHZ
500HZ
0.1ms/0.1ms
0.5ms/0.5ms
<15%(Sr)
<1.0%(Sr)
IP67
-25 °C - +70 °C
<10%(Sr)
YES
220mA
<10ms
RFI>3V/m / EFT>1KV / ESD>4KV (contact)
IEC 60947-5-2, Part 7.4.1 / IEC 60947-5-2, Part 7.4.2
PBT

LQP1-2803N-A3U2X	1	LQP2-2806N-A3U2X
LQP1-2803N-B3U2X	2	LQP2-2806N-B3U2X
LQP1-2803P-A3U2X	3	LQP2-2806P-A3U2X
LQP1-2803P-B3U2X	4	LQP2-2806P-B3U2X

3φ 3x0.15
Approx.55 g

LONG SENSING DISTANCE PROXIMITY SWITCH SQUARE TYPE

Q16x28x10	
3 mm	6 mm
PBT RESIN	



10-30VDC	
<10%	
<10mA	
200mA	
<0.01mA	
-	
<2.0V	

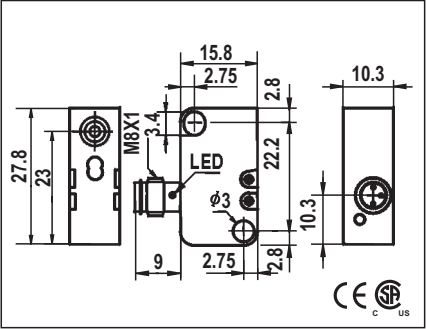
1KHZ	500HZ
0.1ms/0.1ms	0.2ms/0.2ms
<15%	
<1.0%(Sr)	
IP67	
-25° C - +70° C	
<10%(Sr)	
YES	
220mA	
<10ms	

RFI>3V/m / EFT>1KV / ESD>4KV (contact)
IEC 60947-5-2,Part 7.4.1 / IEC 60947-5-2,Part 7.4.2
PBT

LQP1-2803N-A3U2	1	LQP2-2806N-A3U2
LQP1-2803N-B3U2	2	LQP2-2806N-B3U2
LQP1-2803P-A3U2	3	LQP2-2806P-A3U2
LQP1-2803P-B3U2	4	LQP2-2806P-B3U2

4.0 φ 3x0.15
Approx.133 g

Q16x28x10	
3 mm	6 mm
PBT RESIN	



10-30VDC	
<10%	
<10mA	
200mA	
<0.01mA	
-	
<2.0V	

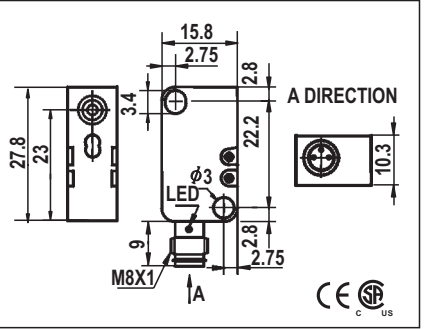
1KHZ	500HZ
0.1ms/0.1ms	0.2ms/0.2ms
<15%	
<1.0%(Sr)	
IP67	
-25° C - +70° C	
<10%(Sr)	
YES	
220mA	
<10ms	

RFI>3V/m / EFT>1KV / ESD>4KV (contact)
IEC 60947-5-2,Part 7.4.1 / IEC 60947-5-2,Part 7.4.2
PBT RESIN

LQP1-2803N-ACU3X	25	LQP2-2806N-ACU3X
LQP1-2803N-BCU3X	25	LQP2-2806N-BCU3X
LQP1-2803P-ACU3X	26	LQP2-2806P-ACU3X
LQP1-2803P-BCU3X	26	LQP2-2806P-BCU3X

Approx.30 g

Q16x28x10	
3 mm	6 mm
PBT RESIN	



10-30VDC	
<10%	
<10mA	
200mA	
<0.01mA	
-	
<2.0V	

1KHZ	500HZ
0.1ms/0.1ms	0.2ms/0.2ms
<15%	
<1.0%(Sr)	
IP67	
-25° C - +70° C	
<10%(Sr)	
YES	
220mA	
<10ms	

RFI>3V/m / EFT>1KV / ESD>4KV (contact)
IEC 60947-5-2,Part 7.4.1 / IEC 60947-5-2,Part 7.4.2
PBT RESIN

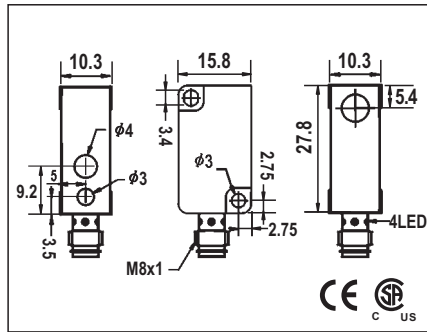
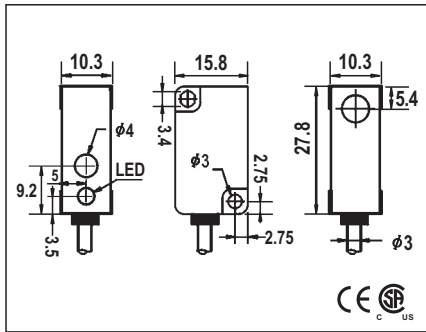
LQP1-2803N-ACU3	25	LQP2-2806N-ACU3
LQP1-2803N-BCU3	25	LQP2-2806N-BCU3
LQP1-2803P-ACU3	26	LQP2-2806P-ACU3
LQP1-2803P-BCU3	26	LQP2-2806P-BCU3

Approx.30 g

LONG SENSING DISTANCE PROXIMITY SWITCH SQUARE TYPE

Q16x28x10	
1 mm	2 mm
die-cast	

Q16x28x10	
1 mm	2 mm
die-cast	



10-30VDC	
<10%	
<10mA	
200mA	
<0.01mA	
-	
-	
<1.5V	
2KHZ	
0.1ms/0.1ms	
<15%(Sr)	
<1.0%(Sr)	
IP67	
-25°C - +70°C	
<10%(Sr)	
YES	
220mA	
<10ms	
RFI>3V/m / EFT>1KV / ESD>4KV (contact)	
IEC 60947-5-2, Part 7.4.1 / IEC 60947-5-2, Part 7.4.2	
POM	

10-30VDC	
<10%	
<10mA	
200mA	
<0.01mA	
-	
-	
<1.5V	
2KHZ	
0.1ms/0.1ms	
<15%(Sr)	
<1.0%(Sr)	
IP67	
-25°C - +70°C	
<10%(Sr)	
YES	
220mA	
<10ms	
RFI>3V/m / EFT>1KV / ESD>4KV (contact)	
IEC 60947-5-2, Part 7.4.1 / IEC 60947-5-2, Part 7.4.2	
POM	

LQM1-2803N-A3U2	1	LQM2-2806N-A3U2
LQM1-2803N-B3U2	2	LQM2-2806N-B3U2
LQM1-2803P-A3U2	3	LQM2-2806P-A3U2
LQM1-2803P-B3U2	4	LQM2-2806P-B3U2

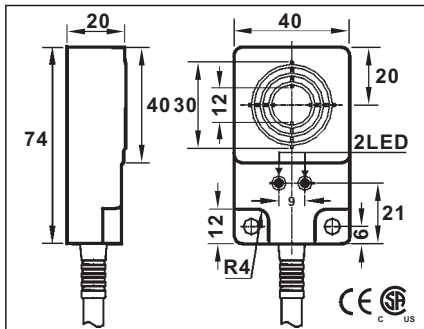
LQM1-2803N-ACU3	25	LQM2-2806N-ACU3
LQM1-2803N-BCU3	25	LQM2-2806N-BCU3
LQM1-2803P-ACU3	26	LQM2-2806P-ACU3
LQM1-2803P-BCU3	26	LQM2-2806P-BCU3

3.0 φ3X0.15	
Approx.60 g	

3.0 φ3X0.15	
Approx.60 g	

LONG SENSING DISTANCE PROXIMITY SWITCH SQUARE TYPE

Q 20
●
30 mm
PBT RESIN
●



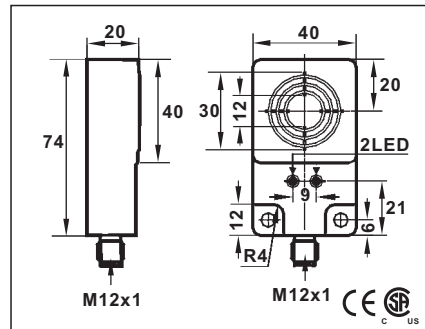
10-30VDC or 10-55VDC or 20-250VAC/DC
<10%
<10mA
200mA
<0.01mA
-
-
<1.5V
500HZ
0.5ms/0.5ms
<15%(Sr)
<1.0%(Sr)
IP67
-25 °C - +70 °C
<10%(Sr)
YES
220mA
<10ms
RFI>3V/m / EFT>1KV / ESD>4KV (contact)
IEC 60947-5-2,Part 7.4.1 / IEC 60947-5-2,Part 7.4.2
POM

LQP1-2030N-A3U2T	1
LQP1-2030N-B3U2T	2
LQP1-2030P-A3U2T	3
LQP1-2030P-B3U2T	4

Note:
All cable type have pigtail connect mode,
LQP***/p → pigtail mode

Approx.110 g

Q 20
●
30 mm
PBT RESIN
●

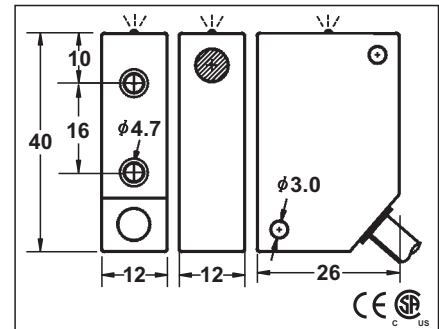


10-55VDC
<10%
<10mA
200mA
<0.01mA
-
-
<1.5V
500HZ
0.5ms/0.5ms
<15%(Sr)
<1.0%(Sr)
IP67
-25 °C - +70 °C
<10%(Sr)
YES
220mA
<10ms
RFI>3V/m / EFT>1KV / ESD>4KV (contact)
IEC 60947-5-2,Part 7.4.1 / IEC 60947-5-2,Part 7.4.2
POM

LQP1-2030N-ARU4T	29
LQP1-2030N-BRU4T	30
LQP1-2030P-ARU4T	31
LQP1-2030P-BRU4T	32

Approx.110 g

Q25x40x12	
●	○
6 mm	10 mm
PBT RESIN	
●	



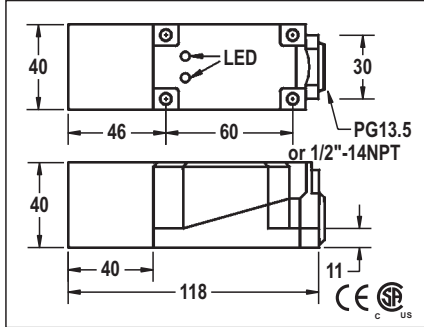
10-30VDC	
<10%	
<10mA	
200mA	
<0.01mA	
-	
-	
<2.0V	
1KHZ	500HZ
0.1ms/0.1ms	0.2ms/0.2ms
<15%	
<1.0%(Sr)	
IP67	
-25 °C - +70 °C	
<10%(Sr)	
YES	
220mA	
<10ms	
RFI>3V/m / EFT>1KV / ESD>4KV (contact)	
IEC 60947-5-2,Part 7.4.1 / IEC 60947-5-2,Part 7.4.2	
PBT	

LQP1-4006N-A3U2	1	LQP2-4010N-A3U2
LQP1-4006N-B3U2	2	LQP2-4010N-B3U2
LQP1-4006P-A3U2	3	LQP2-4010P-A3U2
LQP1-4006P-B3U2	4	LQP2-4010P-B3U2

4.0 φ 3x0.15 Approx.133 g

LONG SENSING DISTANCE 5 WAY ROTATABLE SENSING HEAD

Q 40
○
40 mm
PBT RESIN
●

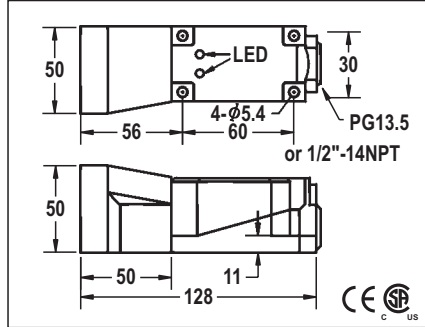


10-30VDC or 10-60VDC or 20-250VAC/DC
<10%
<10mA
200mA
<0.01mA
-
<1.0V
100HZ
1ms/1ms
<15%
<1.0%(Sr)
IP67
-25 °C - +100 °C
<10%(Sr)
YES
220mA
<10ms
RFI>3V/m / EFT>1KV / ESD>4KV (contact)
IEC 60947-5-2,Part 7.4.1 / IEC 60947-5-2,Part 7.4.2
PBT

LQP2-4040N-A3U	1
LQP2-4040N-B3U	2
LQP2-4040P-A3U	3
LQP2-4040P-B3U	4
LQP2-4040P-S4U	6
LQP2-4040N-S4U	5
LQP2-4040C-A2U	7
LQP2-4040C-B2U	8
LQP2-4040A-A2U	9
LQP2-4040A-B2U	10
LQP2-4040U-A2U	9
LQP2-4040U-B2U	10

approx.242g

Q50
○
50 mm
PBT RESIN
●



10-30VDC or 10-60VDC or 20-250VAC/DC
<10%
<20mA
200mA
<0.01mA
-
< 2 V
100HZ
1ms/1ms
<15%(Sr)
<1.0%(Sr)
IP67
-25 °C - +75 °C
<10%(Sr)
YES
220mA
<10ms
RFI>3V/m / EFT>1KV / ESD>4KV (contact)
IEC 60947-5-2,Part 7.4.1 / IEC 60947-5-2,Part 7.4.2
PBT

LQP2-5050N-A3U	1
LQP2-5050N-B3U	2
LQP2-5050P-A3U	3
LQP2-5050P-B3U	4
LQP2-5050P-S4U	6
LQP2-5050N-S4U	5
LQP2-5050C-A2U	7
LQP2-5050C-B2U	8
LQP2-5050A-A2U	9
LQP2-5050A-B2U	10
LQP2-5050U-A2U	9
LQP2-5050U-B2U	10

Approx.450 g
